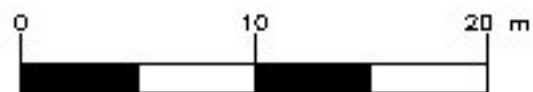
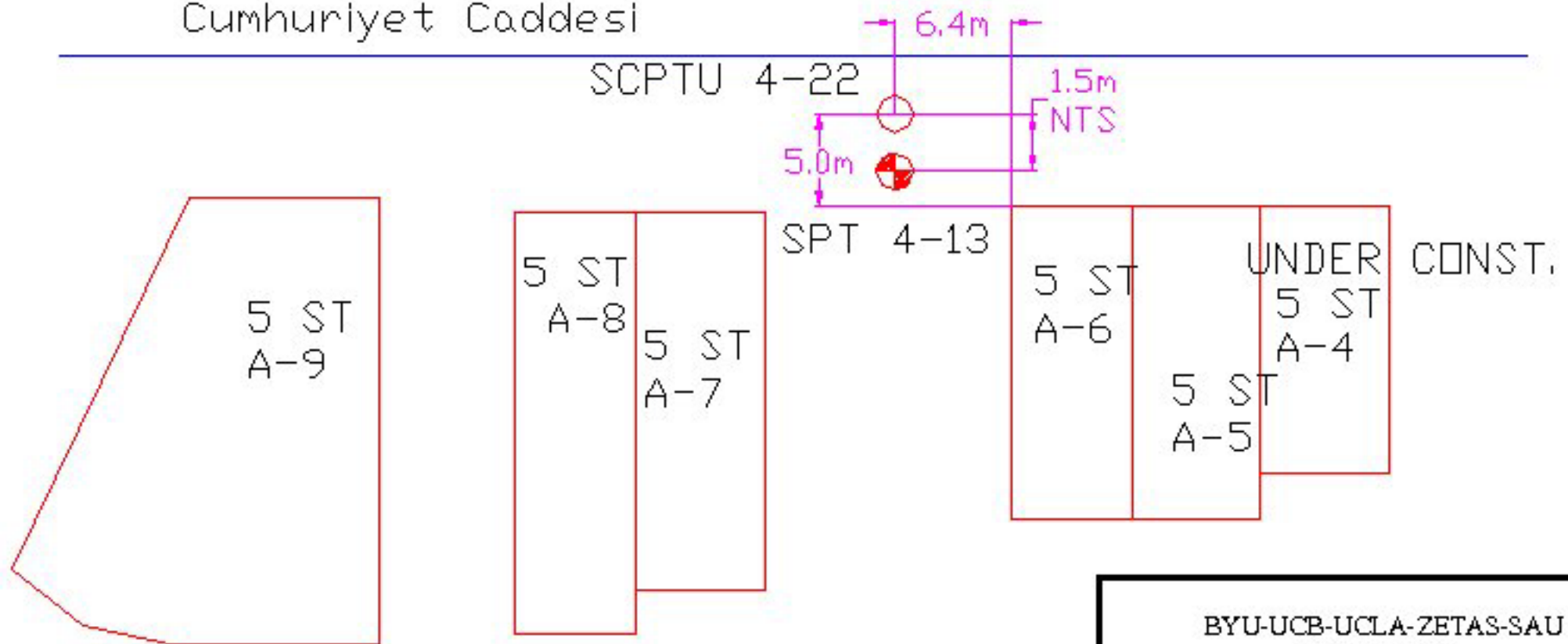




Cumhuriyet Caddesi



BYU-UCB-UCLA-ZETAS-SAU  
Joint Research  
Sponsored by:  
NSF-PEER-Caltrans-CEC-PG&E

Project: CPT Liquefaction Investigations, Adapazari, Turkey  
Responsible Engineers: T. Leslie Youd, Curt Christensen, BYU

Location: Tabakhane District

Scale: Graphic scale

Line: 4  
CPT 4-22

Drawn by: Mark Hill

Date: 05/01/01