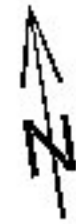
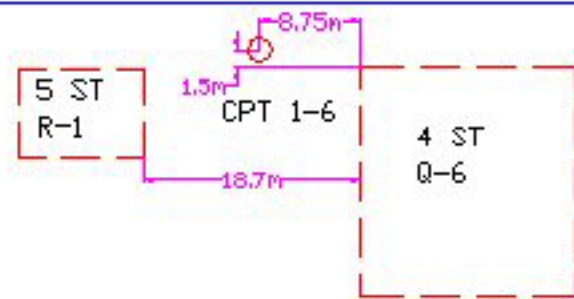
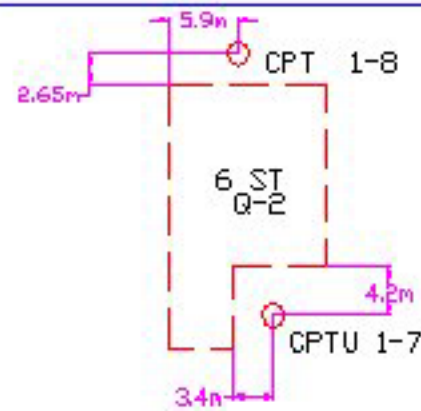


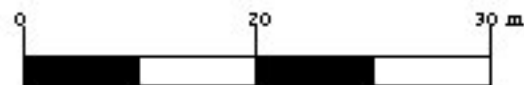
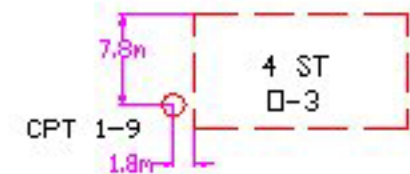
Çark Caddesi



Çark Caddesi



Çark Caddesi



BYU-UCB-UCLA-ZETAS-SAU
 Joint Research
 Sponsored by:
 NSF-PEER-Caltrans-CEC-PG&E

Project: CPT Liquefaction Investigations, Adapazarı, Turkey
 Responsible Engineers: T. Leslie Youd, Curt Christensen, BYU

Location: Ertiler District

Scale: Graphic scale

Line: 1
 CPT 1-6 TO CPT 1-9

Drawn by: Mark Hill

Date: 05/01/01