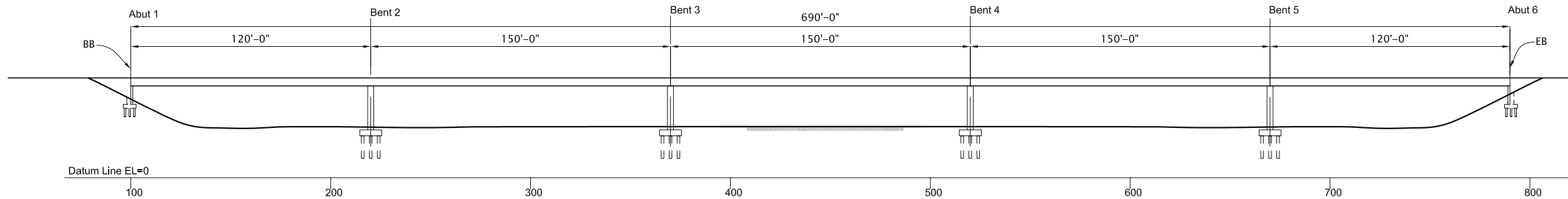
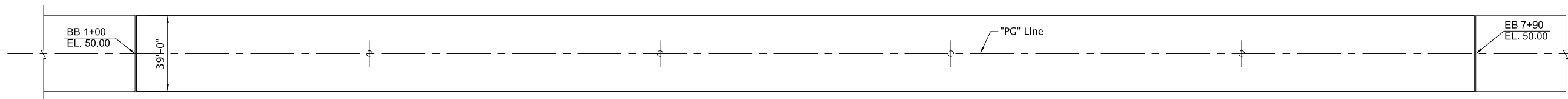


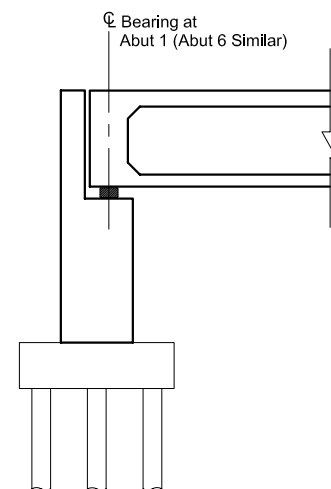
APPENDIX A: BRIDGE PLANS



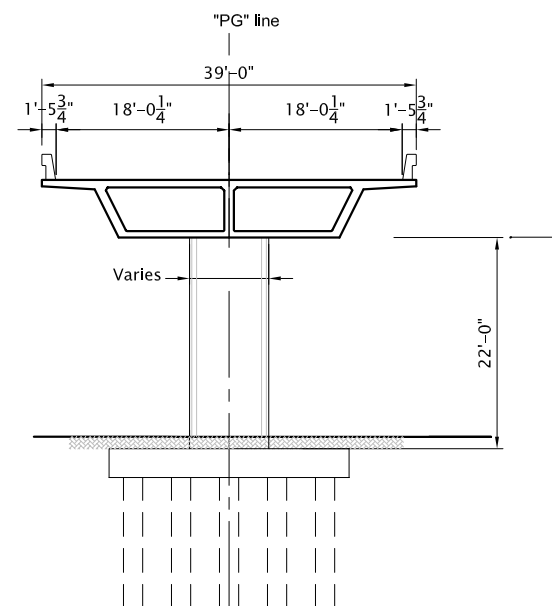
Elevation
Scale: 1"=30'-0"



Plan
Scale: 1"=30'-0"



Abutment Section
Scale: 1/4"=1'-0"

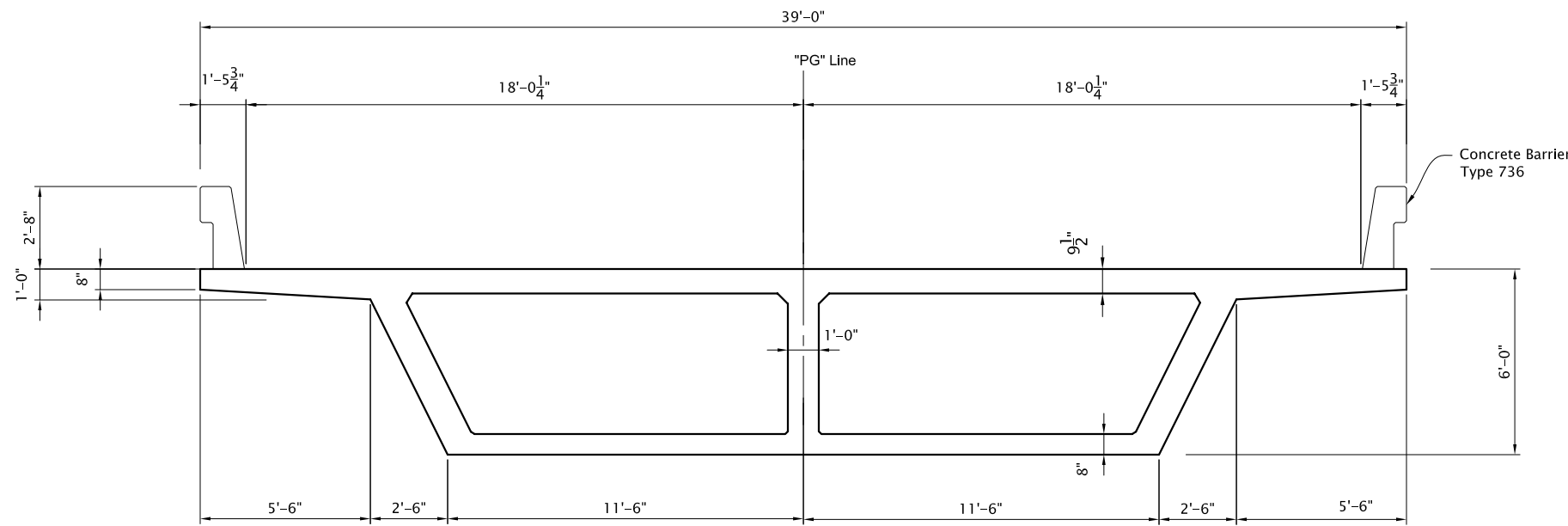


Typical Section
Scale: 1"=10'-0"

Notes:

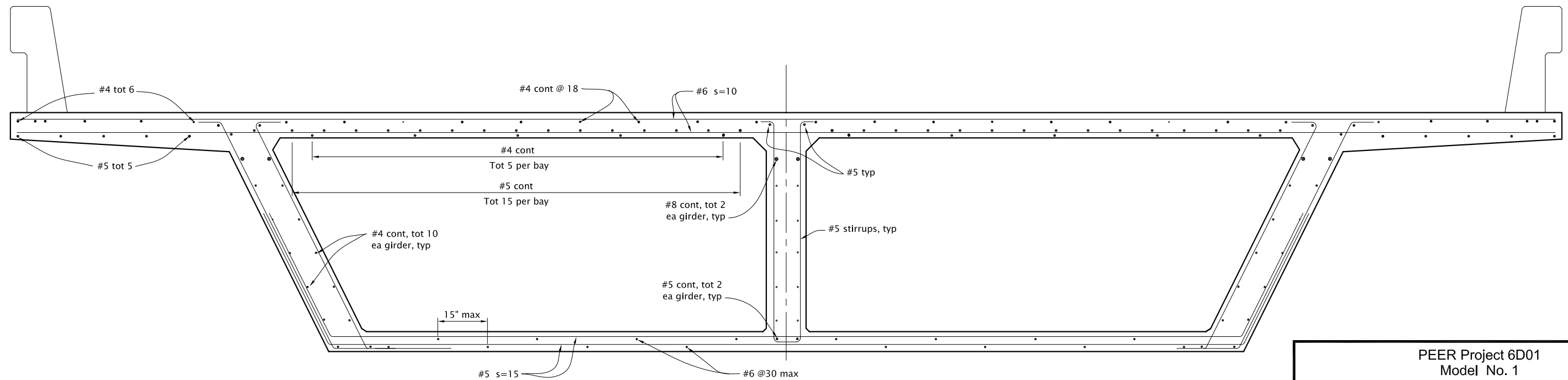
- Concrete Strengths:
 Girder $f'_c = 5000$ psi
 Column $f'_c = 4000$ psi
 Abutment $f'_c = 4000$ psi
 Footing $f'_c = 3600$ psi

PEER Project 6D01 Model No.1				
Baseline Bridge General Plan				
DESIGNED BY:	DATE:	CHECKED BY:	DATE:	SCALE:
DRAWN BY:	DATE:	CHECKED BY:	DATE:	DRAWING NO. S1-1



Typical Section
Scale: 3/8"=1'-0"

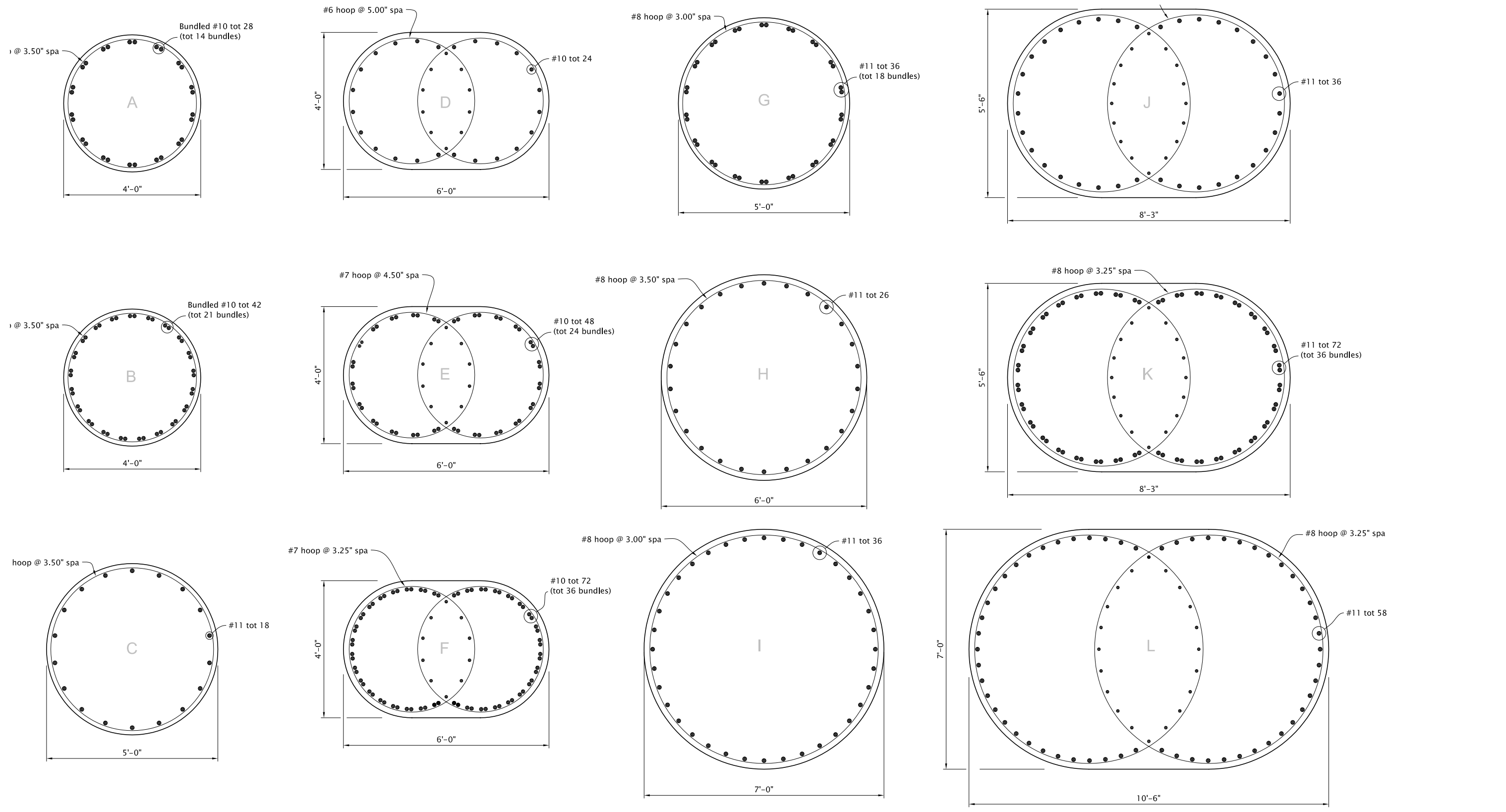
ADDITIONAL MILD STEEL AT BENTS				
MODEL	LOCATION	BAR SIZE	NO.	LENGTH
1A	Deck	#9	27	30'
	Soffit	#9	24	38'
1B	Deck	#9	27	30'
	Soffit	#9	24	38'
1C	Deck	#9	27	30'
	Soffit	#9	24	38'
1D	Deck	#9	27	30'
	Soffit	#9	24	38'
1E	Deck	#9	27	30'
	Soffit	#9	24	38'
1F	Deck	#9	27	30'
	Soffit	#9	24	38'
1G	Deck	#9	27	30'
	Soffit	#9	24	38'
1H	Deck	#9	27	30'
	Soffit	#9	24	38'
1I	Deck	#9	27	30'
	Soffit	#9	24	38'
1J	Deck	#9	27	30'
	Soffit	#9	24	38'
1K	Deck	#9	36	30'
	Soffit	#9	24	38'
1L	Deck	#9	36	30'
	Soffit	#9	24	38'



Partial Section
Scale: 3/4"=1'-0"

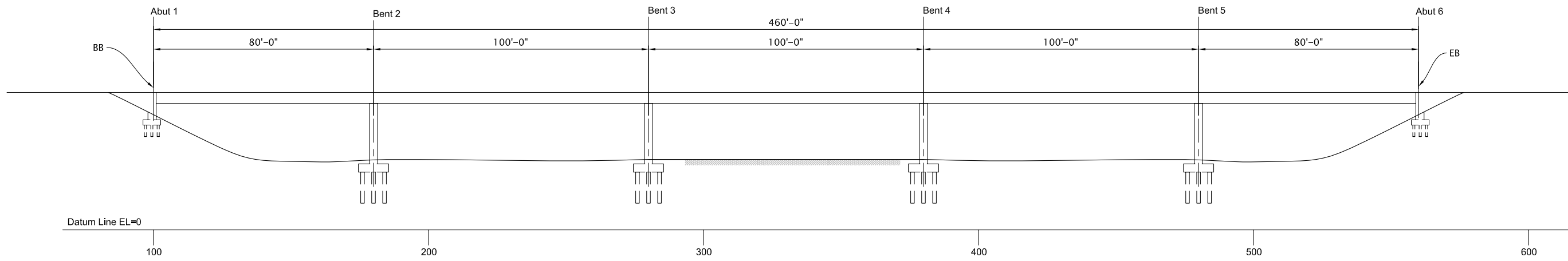
- Notes:
- Pjack = 7000 k
 - f_c = 5000psi

PEER Project 6D01 Model No. 1				
Typical Section				
DESIGNED BY:	DATE:	CHECKED BY:	DATE:	SCALE:
DRAWN BY:	DATE:	CHECKED BY:	DATE:	DRAWING NO. S1-2
OPAC CONSULTING ENGINEERS 315 Bay Street, San Francisco, California 94133, USA				

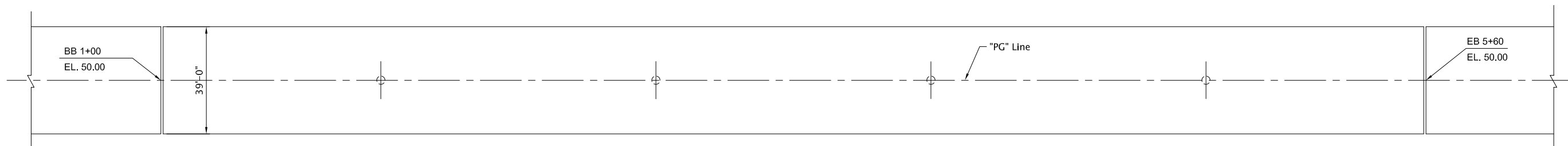


FILE: ModelNo.4.DWG

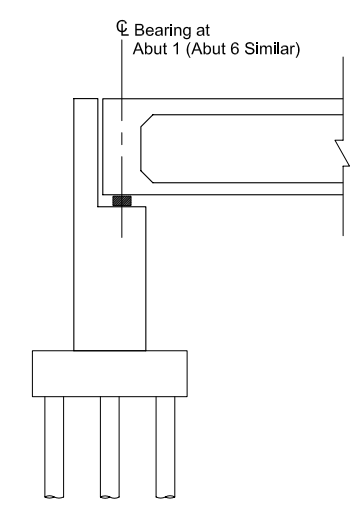
PEER Project 6D01 Model No. 1				
Column Cross-Sections				
DESIGNED BY:	DATE:	CHECKED BY:	DATE:	SCALE:
DRAWN BY:	DATE:	CHECKED BY:	DATE:	DRAWING NO. S1-4
OPAC CONSULTING ENGINEERS 315 Bay Street, San Francisco, California 94133, USA				



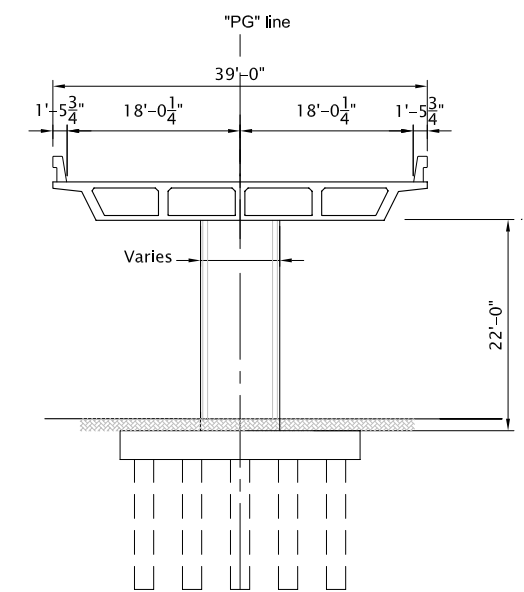
Elevation
Scale: 1"=20'-0"



Plan
Scale: 1"=20'-0"



Abutment Section
Scale: 1/4"=1'-0"

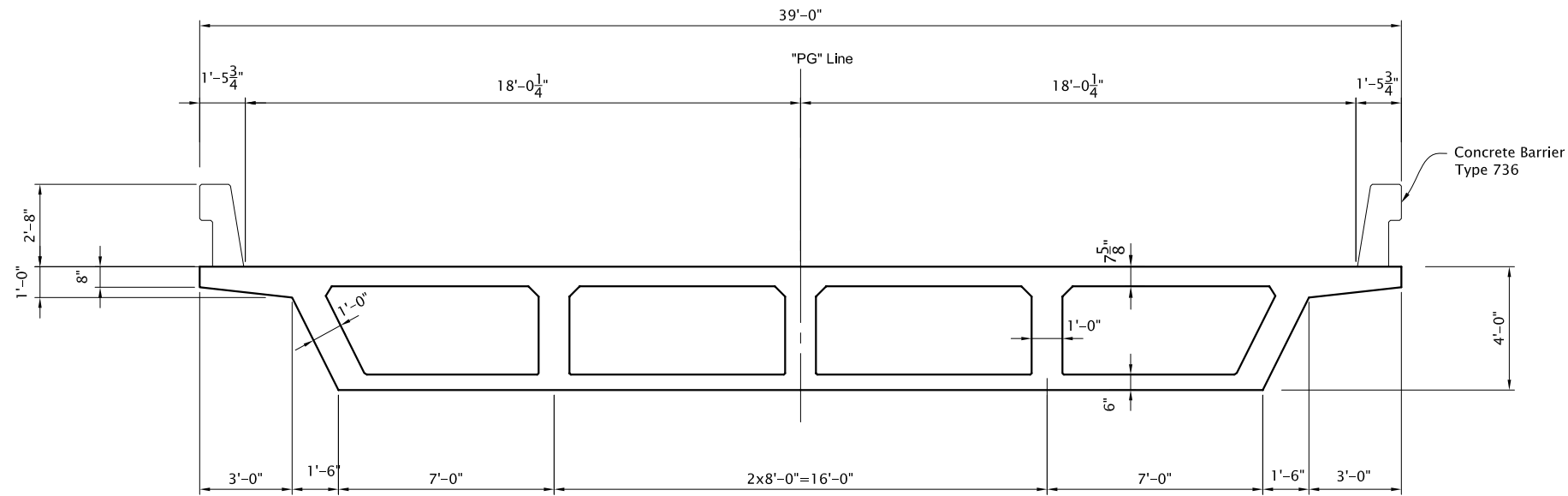


Typical Section
Scale: 1"=10'-0"

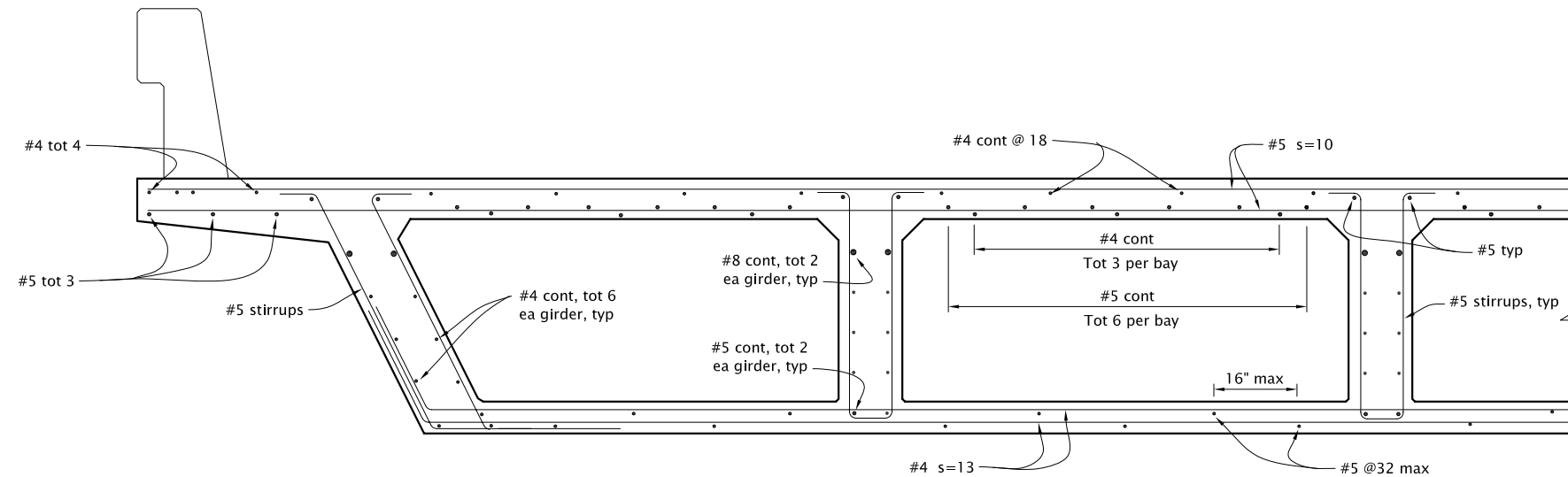
- Notes:**
- Concrete Strengths:
 Girder $f'_c = 5000$ psi
 Column $f'_c = 4000$ psi
 Abutment $f'_c = 4000$ psi
 Footing $f'_c = 3600$ psi

PEER Project 6D01 Model No.3				
Baseline Bridge General Plan				
DESIGNED BY:	DATE:	CHECKED BY:	DATE:	SCALE:
DRAWN BY:	DATE:	CHECKED BY:	DATE:	DRAWING NO. S3-1
 315 Bay Street, San Francisco, California 94133, USA				

FILE:



Typical Section
Scale: 3/8"=1'-0"



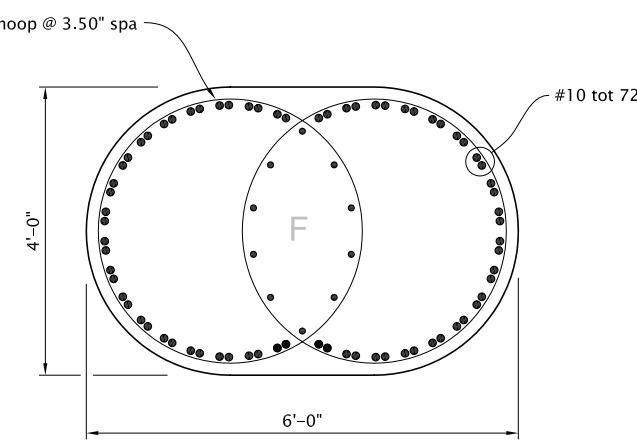
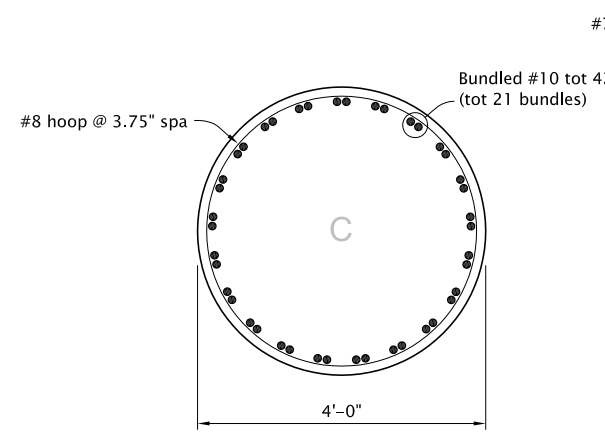
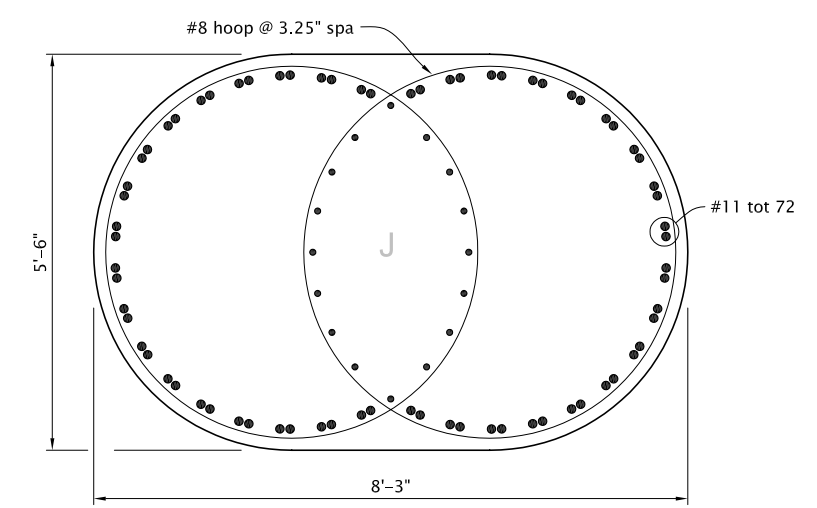
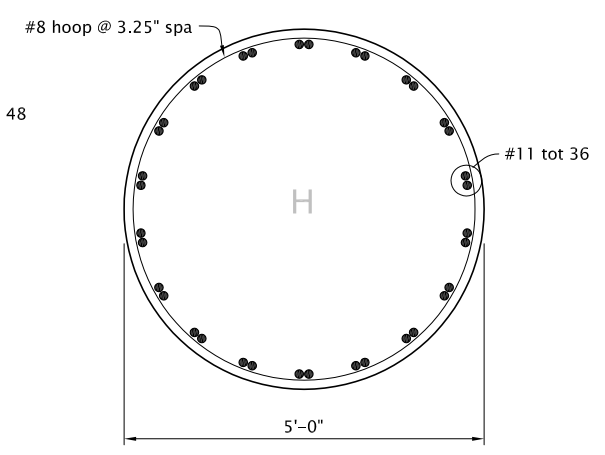
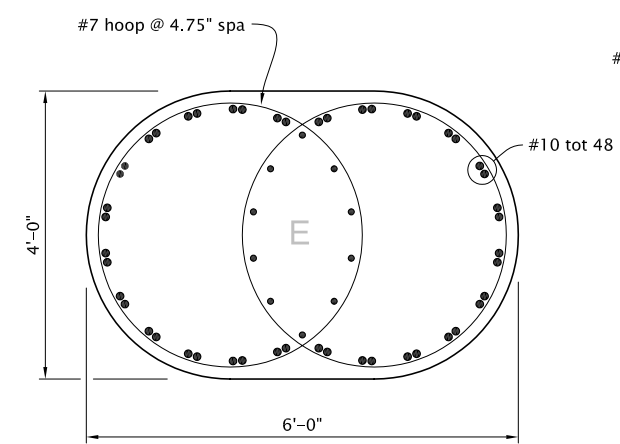
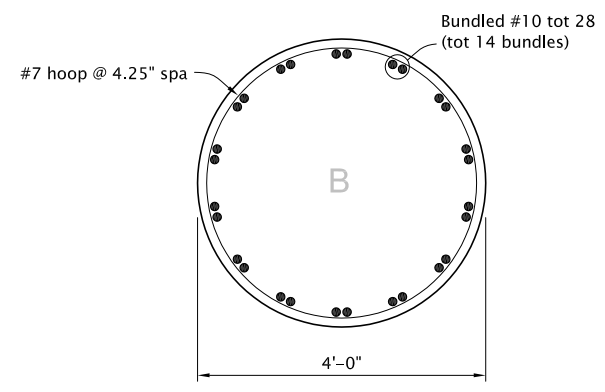
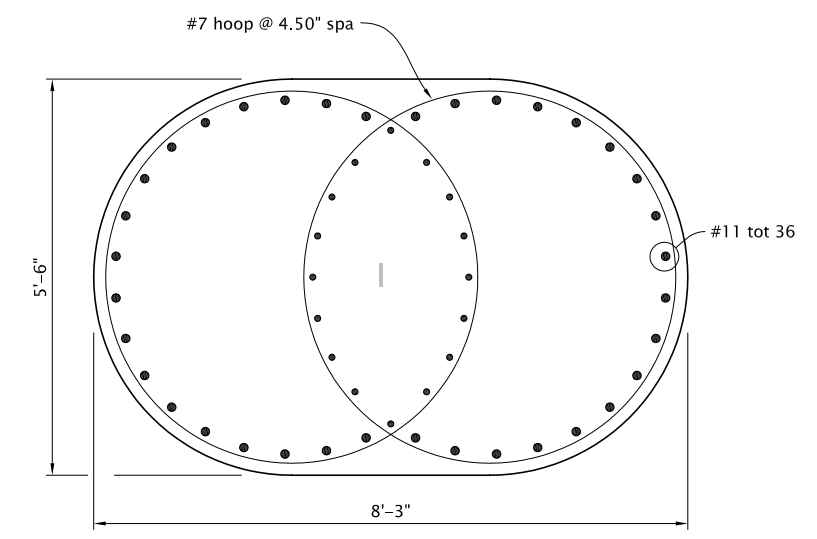
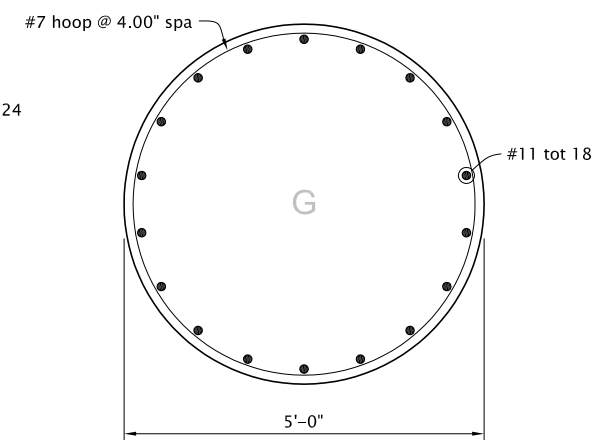
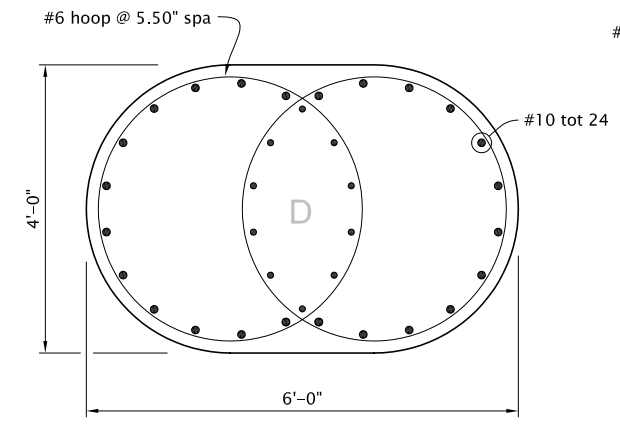
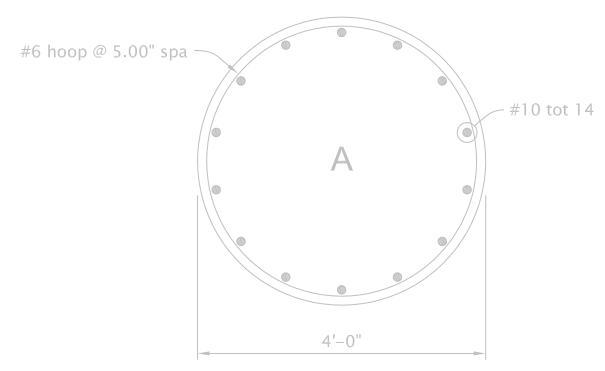
Partial Section
Scale: 3/4"=1'-0"

ADDITIONAL MILD STEEL AT BENTS				
MODEL	LOCATION	BAR SIZE	NO.	LENGTH
3A	Deck	#9	27	20'
	Soffit	#9	24	25'
3B	Deck	#9	27	20'
	Soffit	#9	24	25'
3C	Deck	#9	27	20'
	Soffit	#9	24	25'
3D	Deck	#9	27	20'
	Soffit	#9	24	25'
3E	Deck	#9	27	20'
	Soffit	#9	24	25'
3F	Deck	#9	27	20'
	Soffit	#9	36	25'
3G	Deck	#9	27	20'
	Soffit	#9	24	25'
3H	Deck	#9	27	20'
	Soffit	#9	24	25'
3 I	Deck	#9	37	20'
	Soffit	#9	38	25'
3 J	Deck	#9	42	20'
	Soffit	#9	53	25'

Notes:

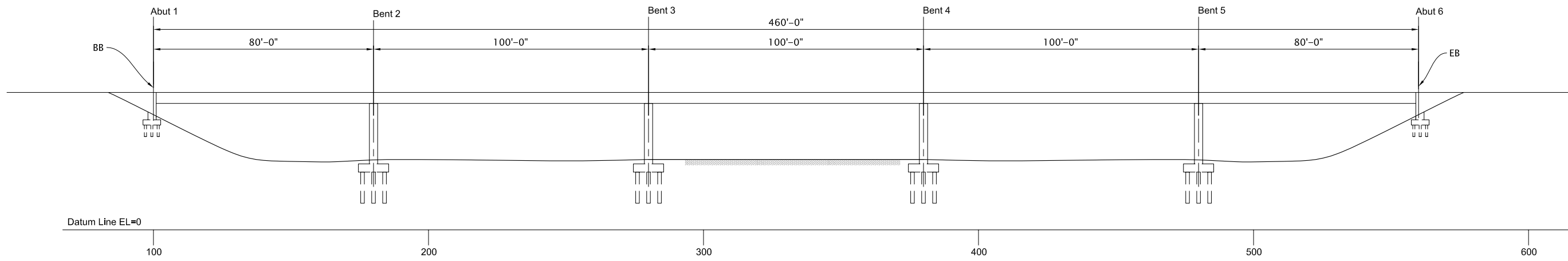
1. Pjack = 7000 k
2. f'c = 5000psi

PEER Project 6D01 Model No. 3				
Typical Section				
DESIGNED BY:	DATE:	CHECKED BY:	DATE:	SCALE:
DRAWN BY:	DATE:	CHECKED BY:	DATE:	DRAWING NO. S3-2
OPAC CONSULTING ENGINEERS 315 Bay Street, San Francisco, California 94133, USA				

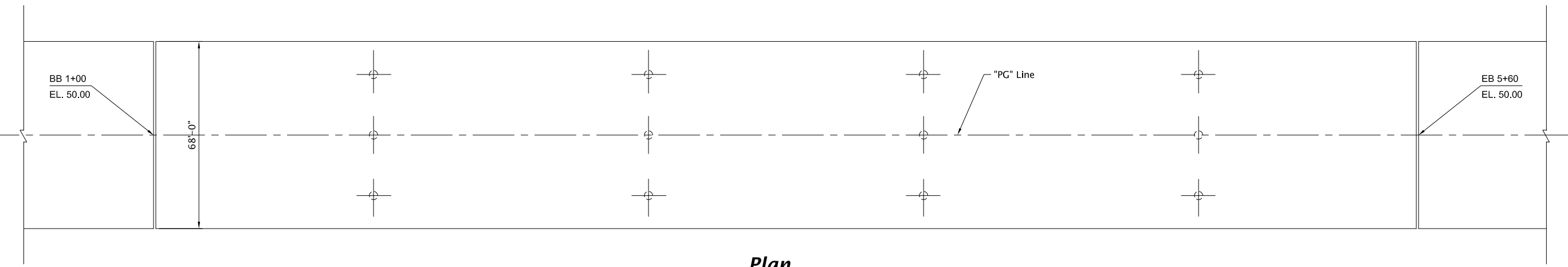


FILE: ModelNo.4.DWG

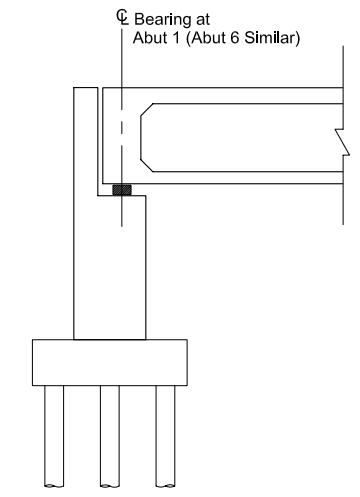
PEER Project 6D01 Model No. 3				
Column Cross-Sections				
DESIGNED BY:	DATE:	CHECKED BY:	DATE:	SCALE:
DRAWN BY:	DATE:	CHECKED BY:	DATE:	DRAWING NO. S3-4
 315 Bay Street, San Francisco, California 94133, USA				



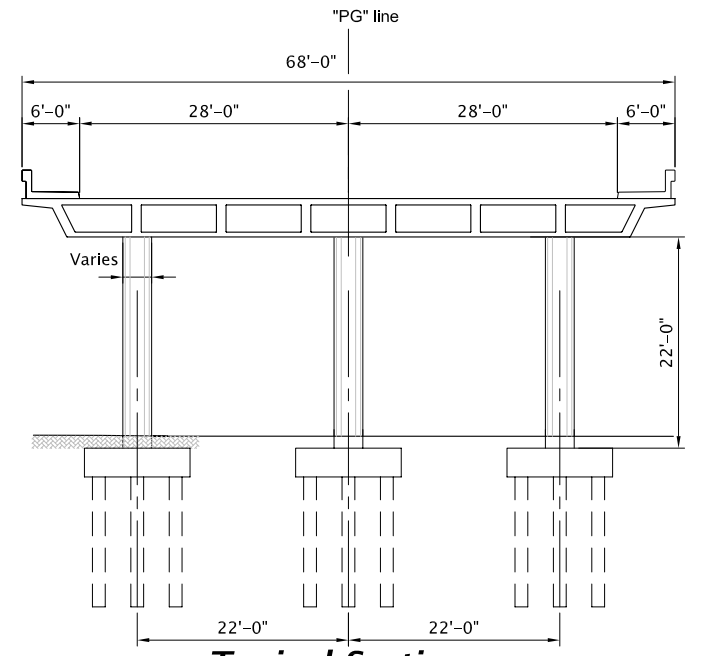
Elevation
Scale: 1"=20'-0"



Plan
Scale: 1"=20'-0"



Abutment Section
Scale: 1/4"=1'-0"

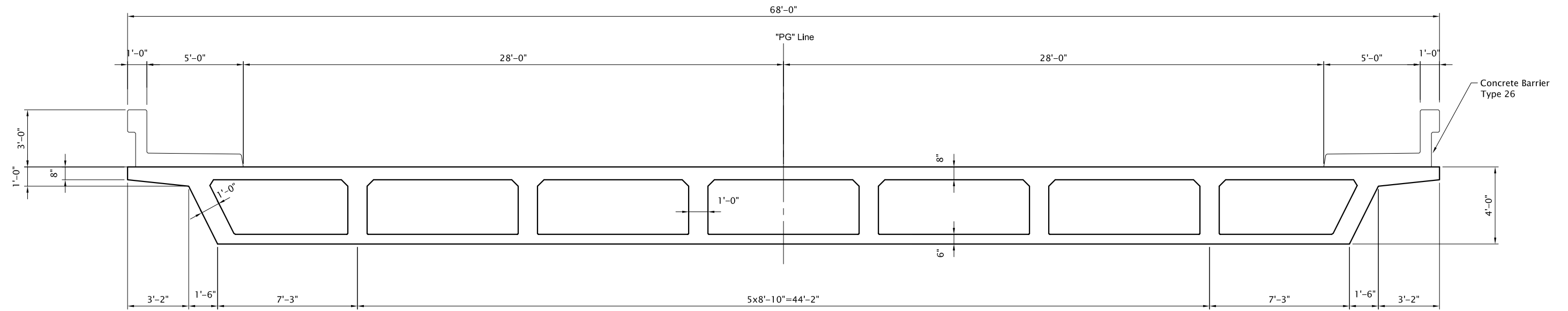


Typical Section
Scale: 1"=10'-0"

- Notes:**
- Concrete Strengths:
 Girder $f'_c = 5000$ psi
 Column $f'_c = 4000$ psi
 Abutment $f'_c = 4000$ psi
 Footing $f'_c = 3600$ psi

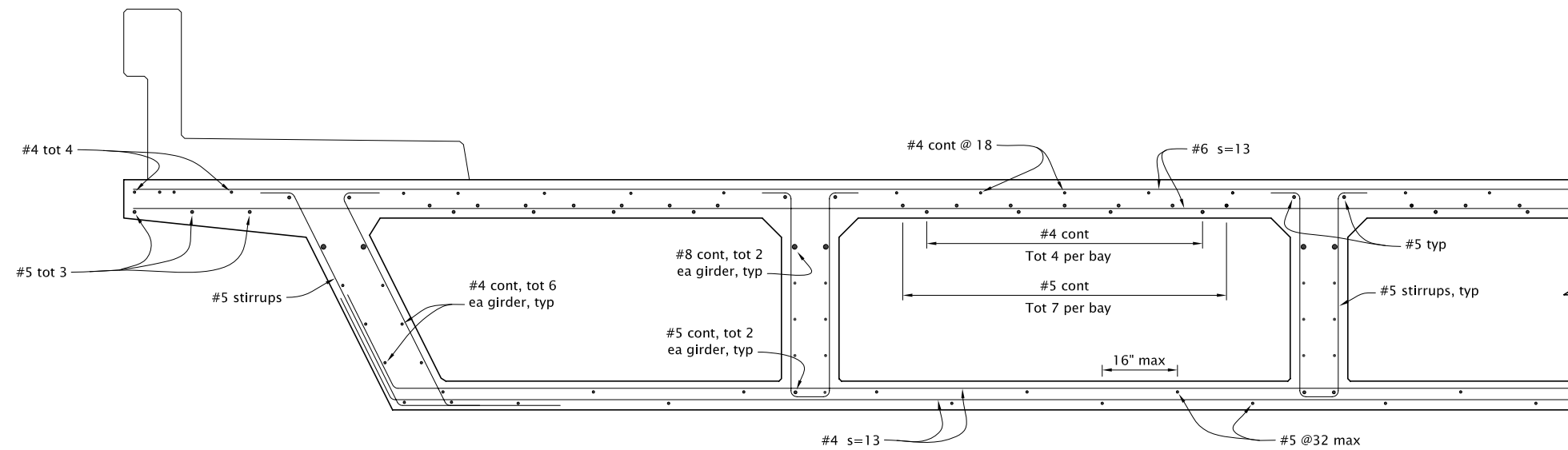
PEER Project 6D01 Model No.4				
Baseline Bridge General Plan				
DESIGNED BY:	DATE:	CHECKED BY:	DATE:	SCALE:
DRAWN BY:	DATE:	CHECKED BY:	DATE:	DRAWING NO. S4-1

FILE:



Typical Section
Scale: 3/8"=1'-0"

ADDITIONAL MILD STEEL AT BENTS				
MODEL	LOCATION	BAR SIZE	NO.	LENGTH
3A	Deck	#9	47	20'
	Soffit	#9	47	25'
3B	Deck	#9	47	20'
	Soffit	#9	47	25'
3C	Deck	#9	47	20'
	Soffit	#9	47	25'
3D	Deck	#9	47	20'
	Soffit	#9	47	25'
3E	Deck	#9	47	20'
	Soffit	#9	47	25'
3F	Deck	#9	47	20'
	Soffit	#9	47	25'
3G	Deck	#9	47	20'
	Soffit	#9	47	25'
3H	Deck	#9	66	20'
	Soffit	#9	47	25'
3 I	Deck	#9	102	20'
	Soffit	#9	47	25'

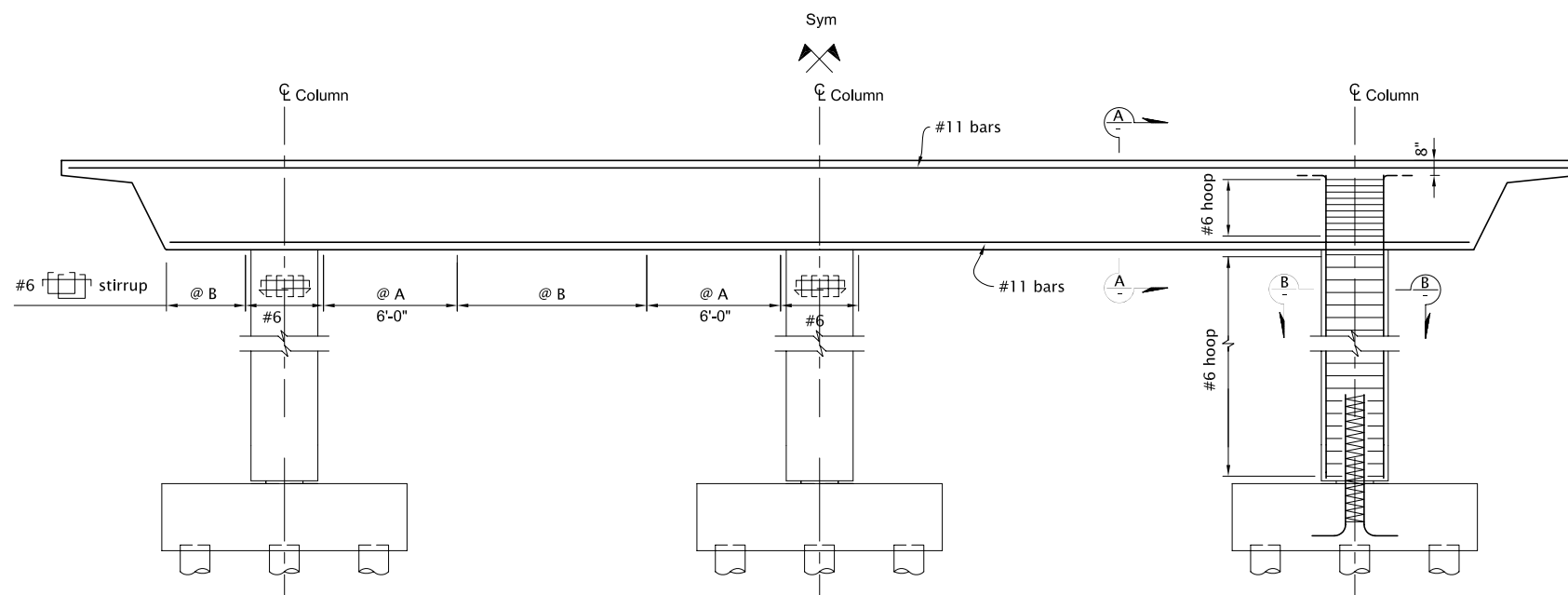


Partial Section
Scale: 3/4"=1'-0"

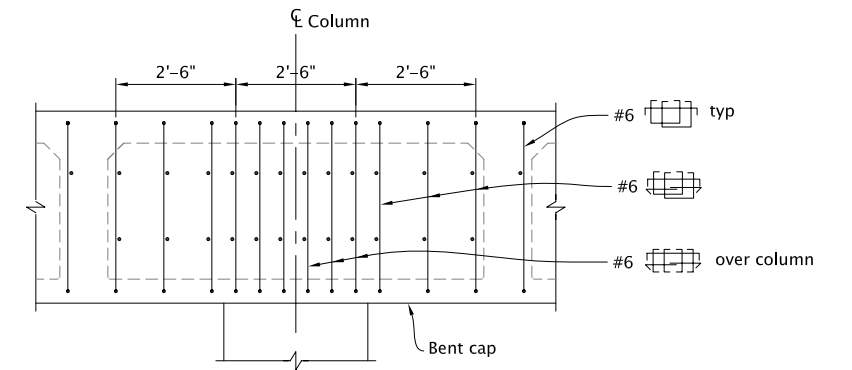
Notes:

1. Pjack = 7000 k
2. f'c = 5000psi

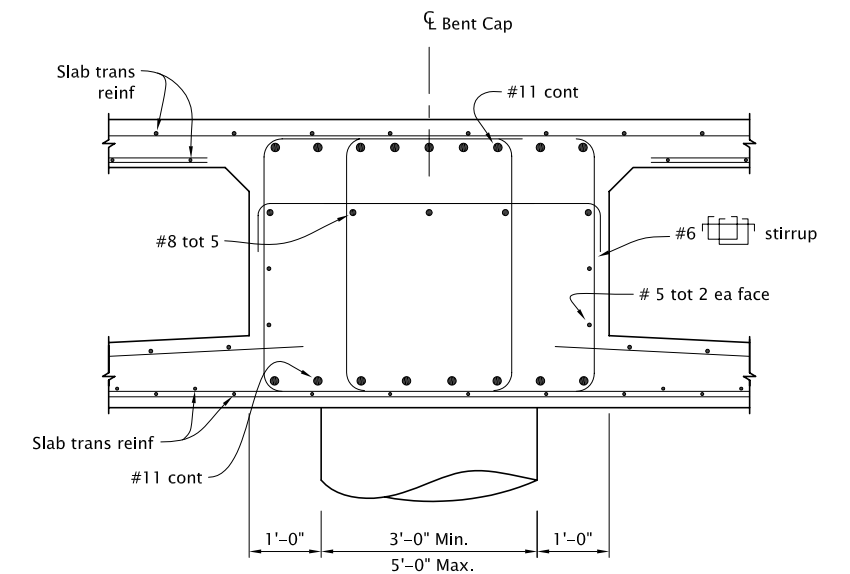
PEER Project 6D01 Model No. 4				
Typical Section				
DESIGNED BY:	DATE:	CHECKED BY:	DATE:	SCALE:
DRAWN BY:	DATE:	CHECKED BY:	DATE:	DRAWING NO. S4-2
 315 Bay Street, San Francisco, California 94133, USA				



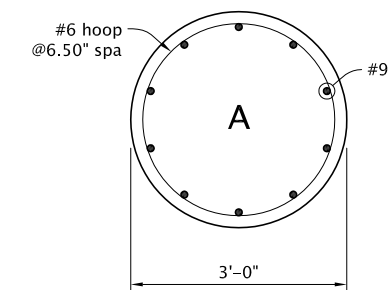
Elevation
Scale: 1/4"=1'-0"



Joint Shear Reinforcement
Scale: 1/2"=1'-0"



Section A-A
Scale: 3/4"=1'-0"



Section B-B
Scale: 3/4"=1'-0"

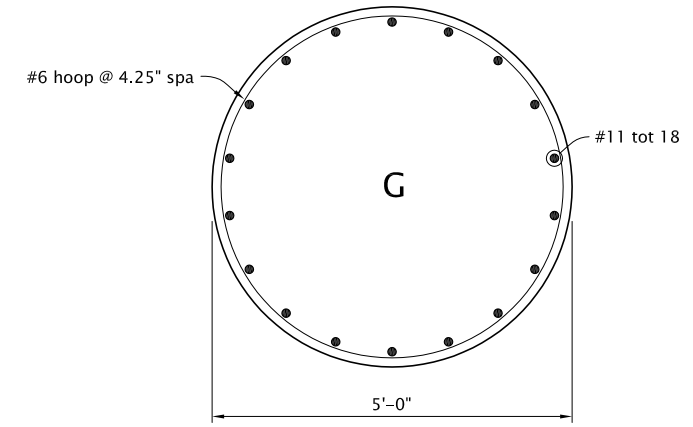
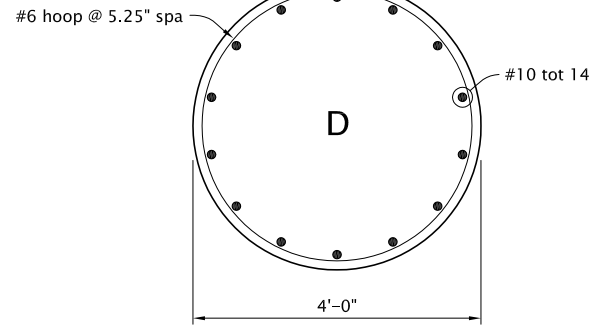
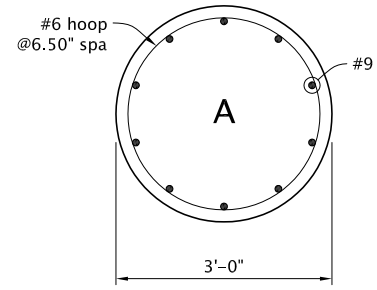
BENT CAP REINFORCEMENT						
MODEL	TOP BARS		BOTTOM BARS		STIRRUP SPACING	
	BAR SIZE	NO.	BAR SIZE	NO.	A	B
4A	#11	10	#11	5	18	15
4B	#11	12	#11	5	15	15
4C	#11	15	#11	8	12	15
4D	#11	16	#11	10	14	15
4E	#11	23	#11	14	10	15
4F	#11	29	#11	20	7	12
4G	#11	26	#11	18	9	15
4H	#11	42	#11	33	5	8
4I	#11	58	#11	49	4	5

JOINT SHEAR REINFORCEMENT		
MODEL	BAR SIZE	NO.
4A	6	4
4B	6	4
4C	6	4
4D	6	4
4E	6	4
4F	6	6
4G	6	4
4H	6	4
4I	6	5

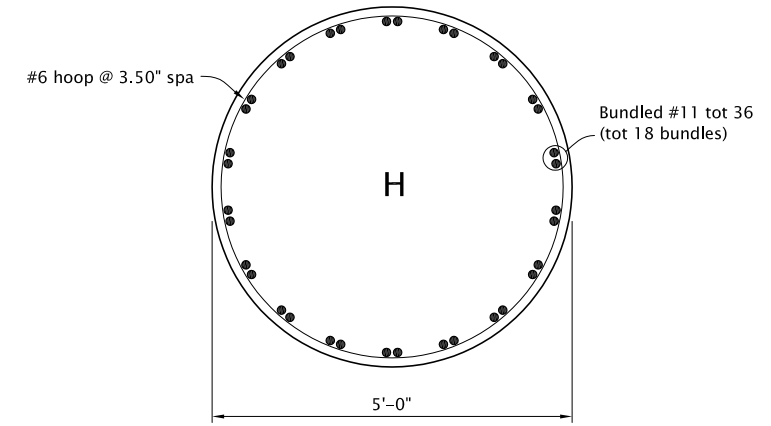
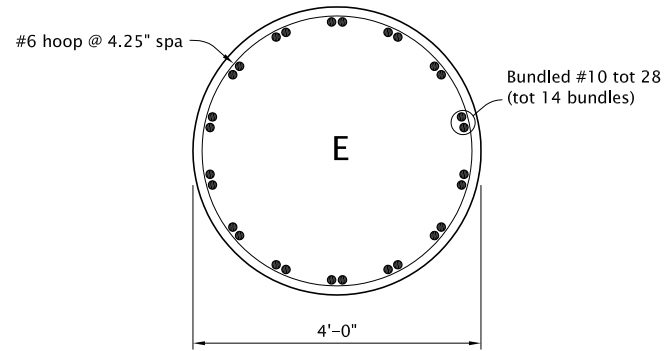
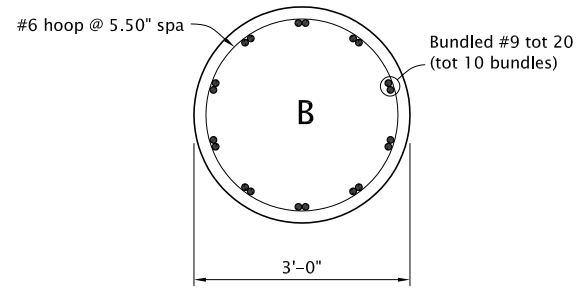
FILE: ModelNo. 4.DWG

PEER Project 6D01 Model No. 4				
Baseline Bridge Typical Bent Details				
DESIGNED BY:	DATE:	CHECKED BY:	DATE:	SCALE:
DRAWN BY:	DATE:	CHECKED BY:	DATE:	DRAWING NO. S4-3
 315 Bay Street, San Francisco, California 94133, USA				

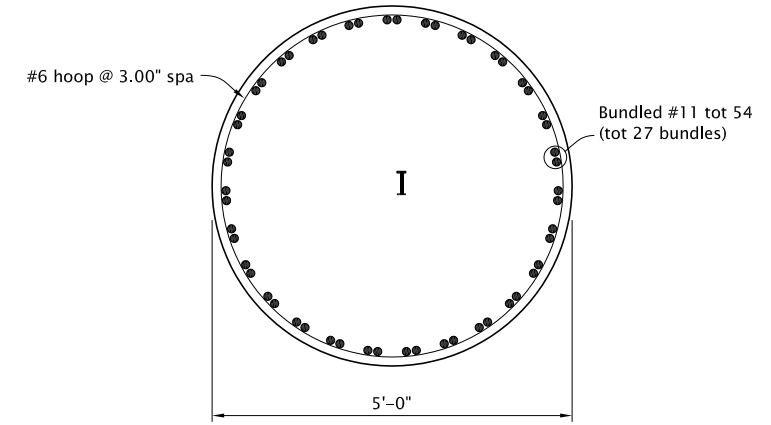
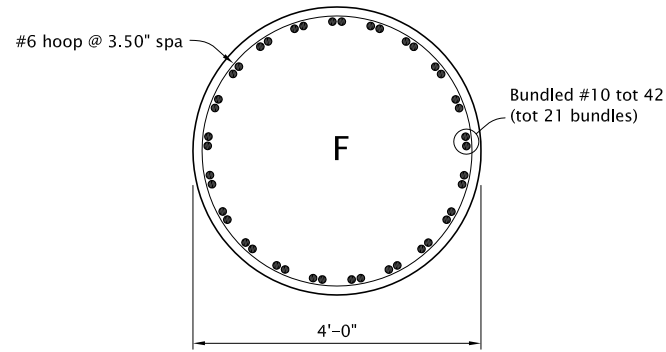
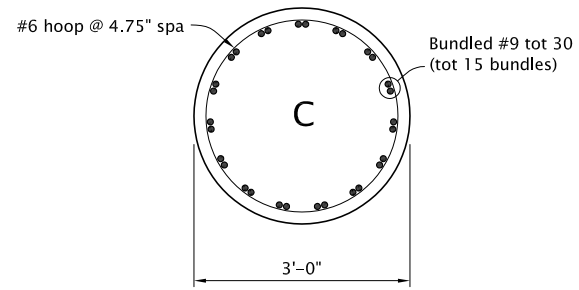
1% Reinf.



2% Reinf.



3% Reinf.



3'-0" Diameter

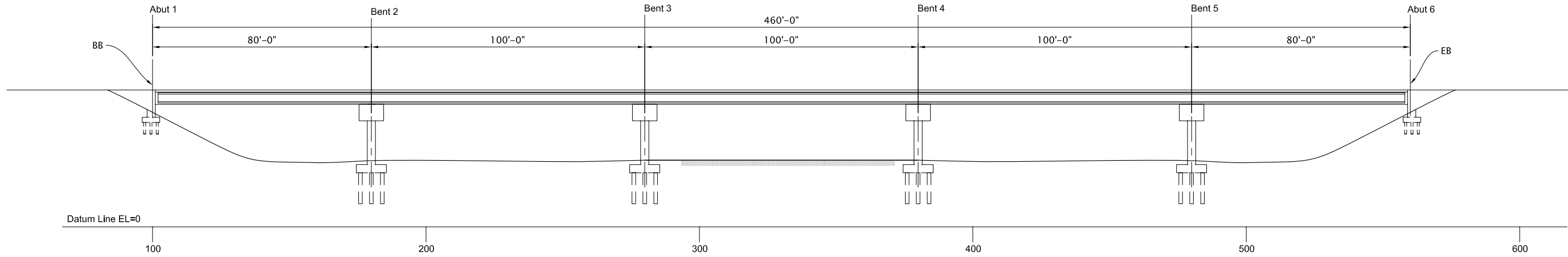
4'-0" Diameter

5'-0" Diameter

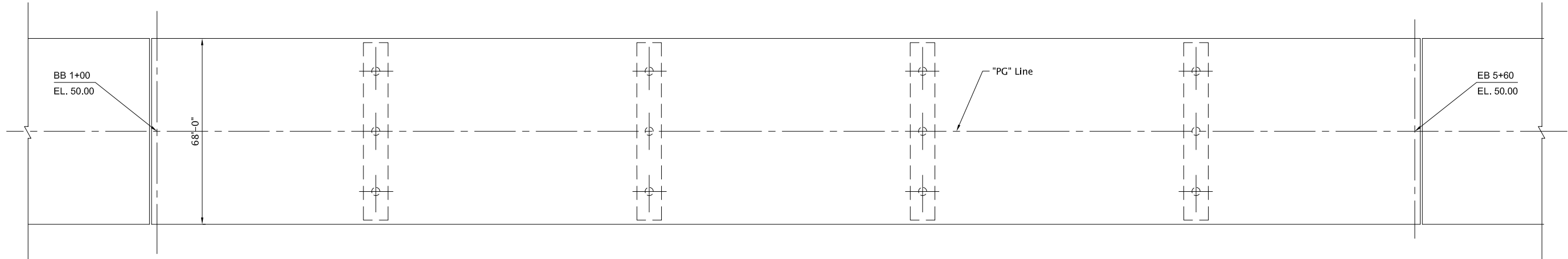
Columns Cross-Sections
Scale: 3/4"=1'-0"

FILE: ModelNo.4.DWG

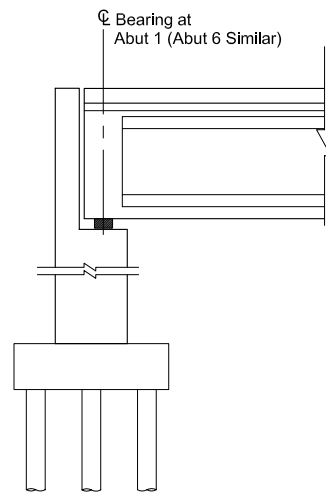
PEER Project 6D01 Model No. 4				
Column Sections with Minimum Av				
DESIGNED BY:	DATE:	CHECKED BY:	DATE:	SCALE:
DRAWN BY:	DATE:	CHECKED BY:	DATE:	DRAWING NO. S4-4
OPAC CONSULTING ENGINEERS 315 Bay Street, San Francisco, California 94133, USA				



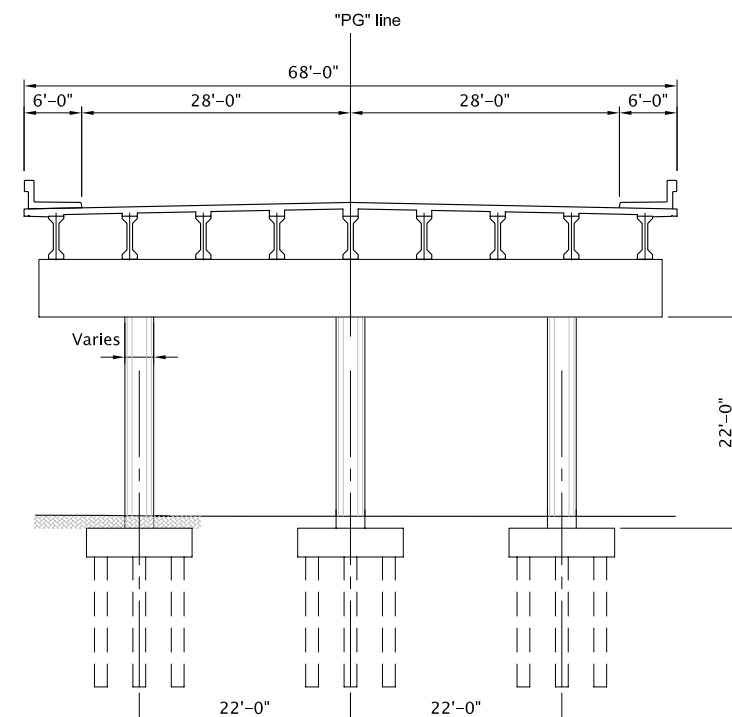
Elevation
Scale: 1"=20'-0"



Plan
Scale: 1"=20'-0"



Abutment Section
Scale: 1/4"=1'-0"



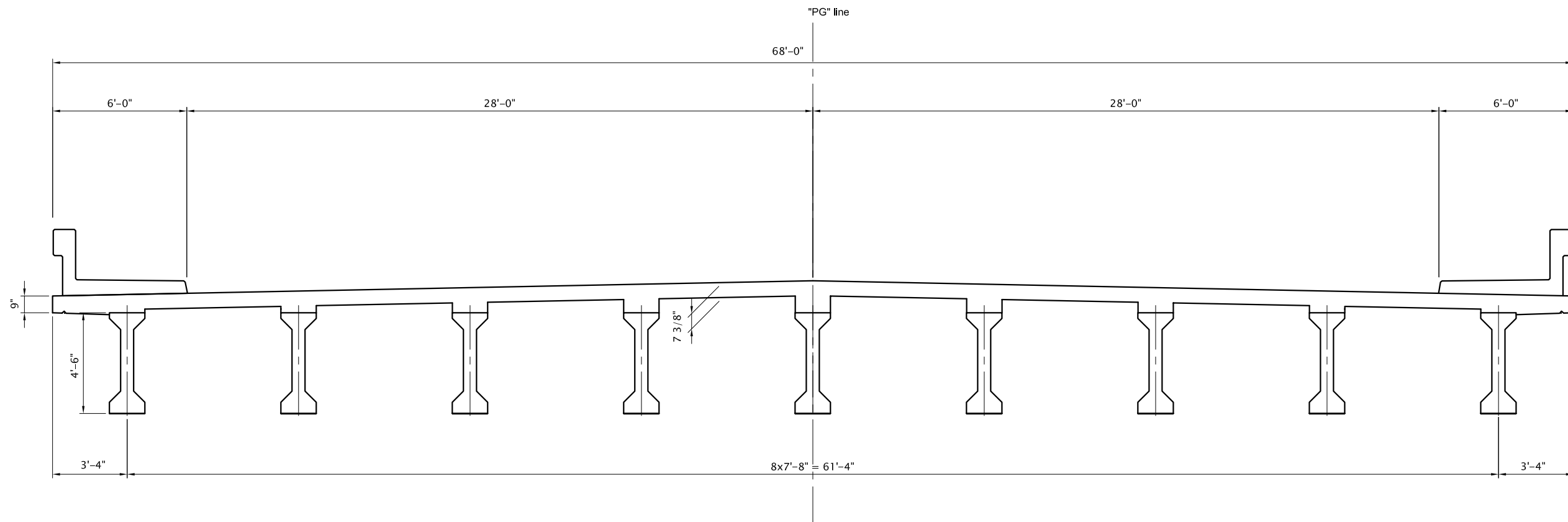
Typical Section
Scale: 1"=10'-0"

Notes:

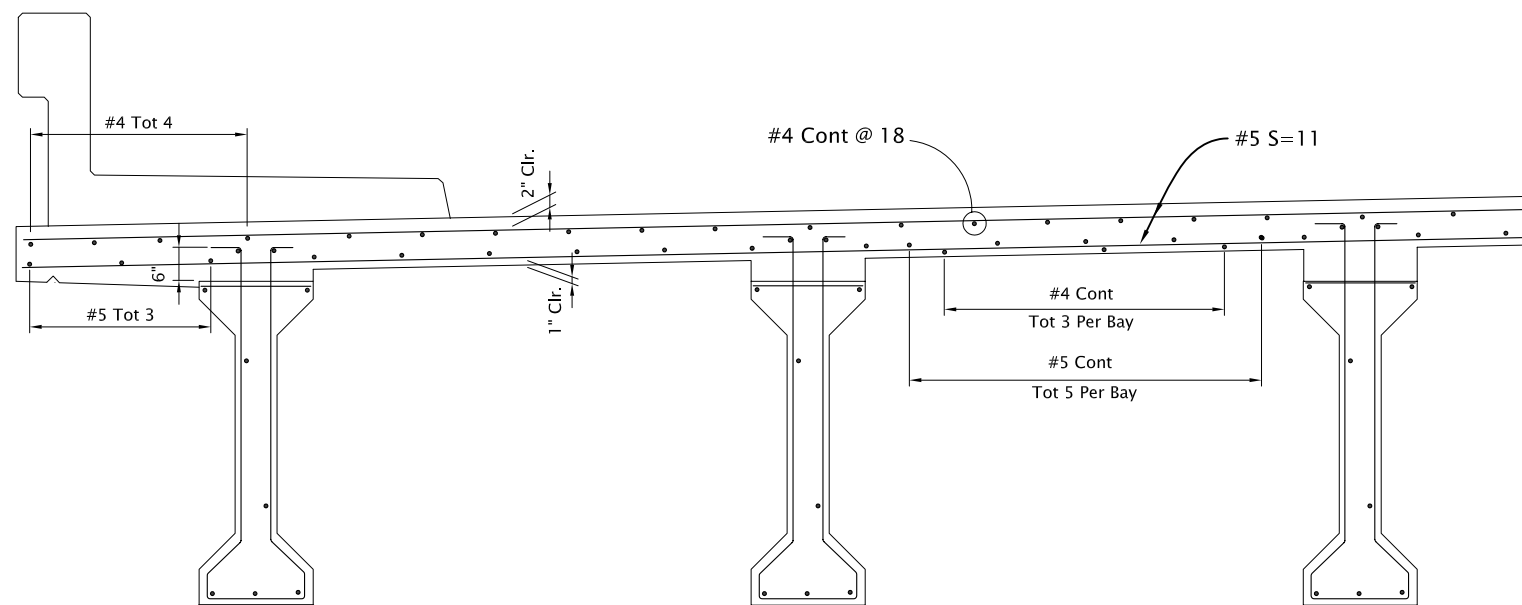
- Concrete Strengths:
 Girder $f_c = 5000$ psi
 Column $f_c = 4000$ psi
 Abutment $f_c = 4000$ psi
 Footing $f_c = 3600$ psi

PEER Project 6D01				
Model No.6				
Baseline Bridge				
General Plan				
DESIGNED BY:	DATE:	CHECKED BY:	DATE:	SCALE:
DRAWN BY:	DATE:	CHECKED BY:	DATE:	DRAWING NO.
				S6-1
 315 Bay Street, San Francisco, California 94133, USA				

FILE:



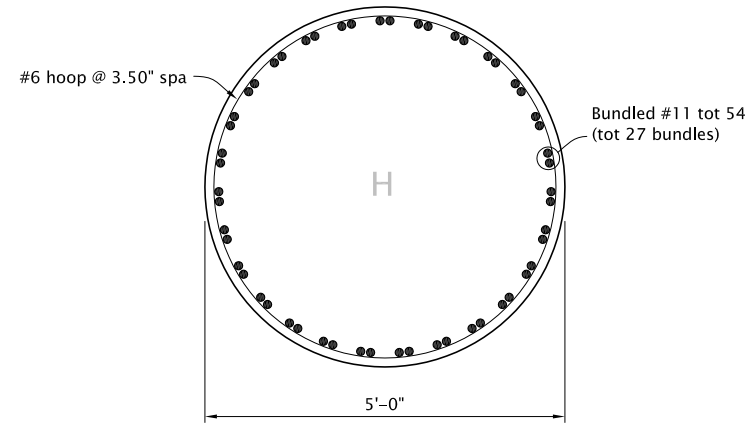
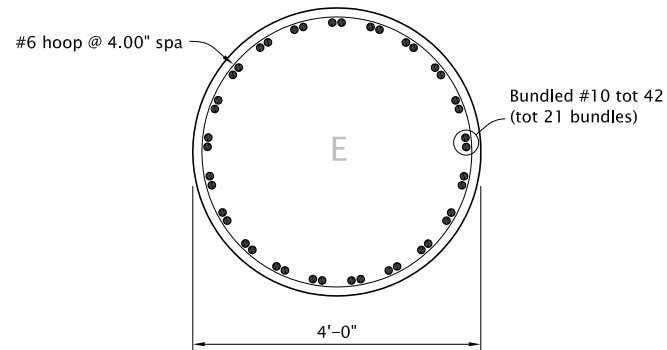
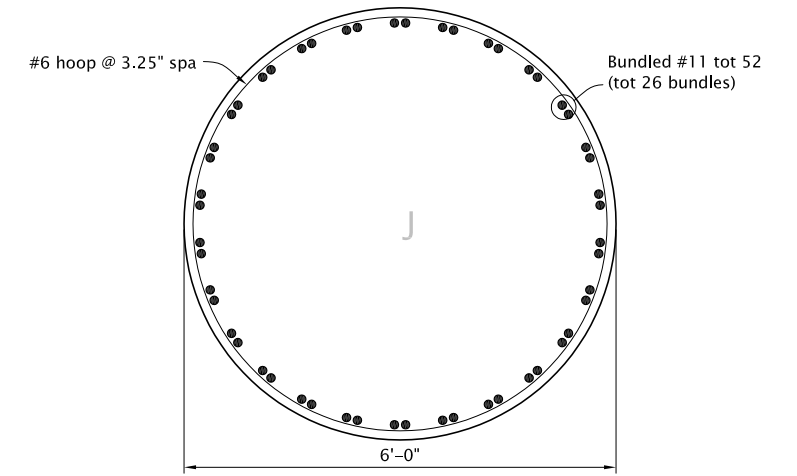
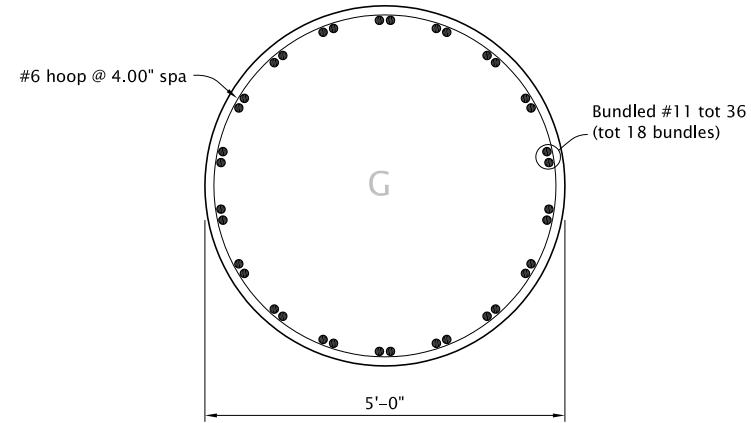
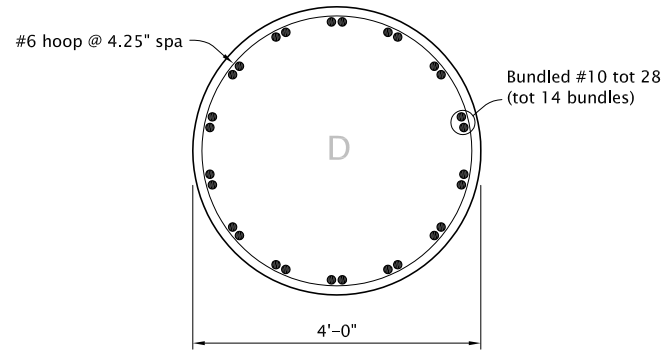
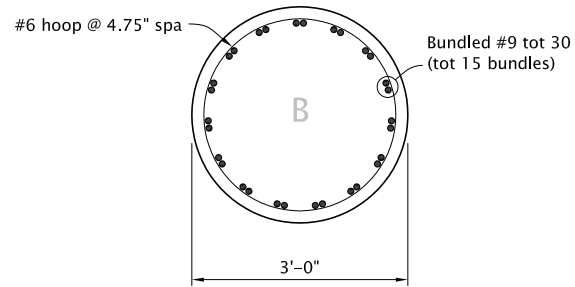
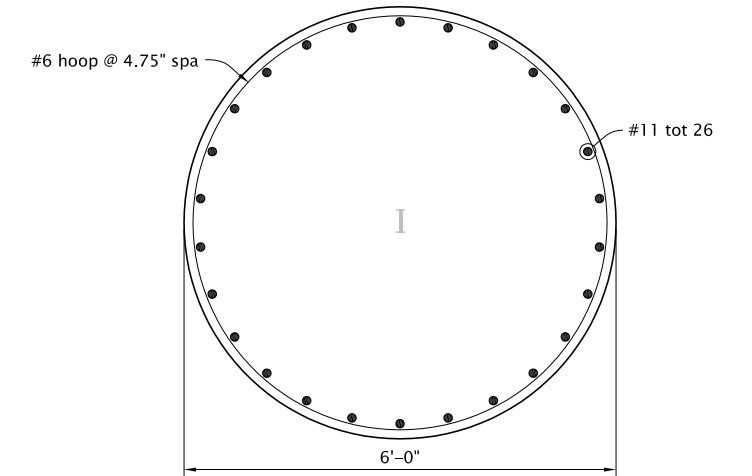
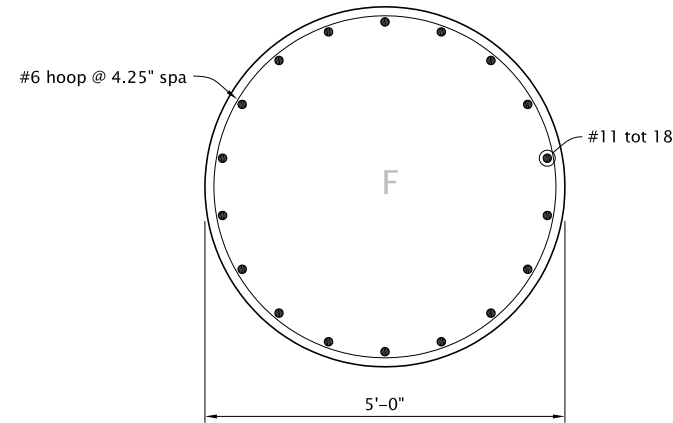
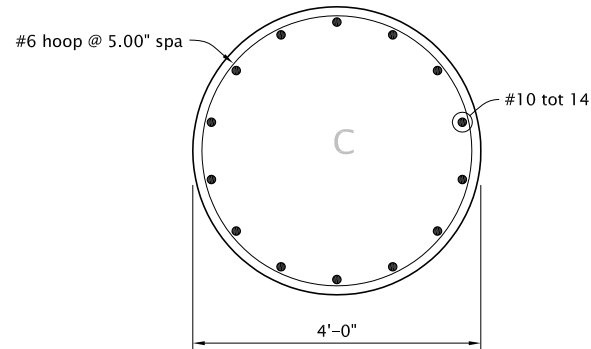
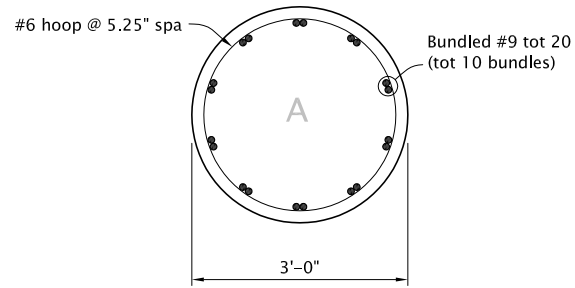
Typical Section
Scale: 3/8"=1'-0"



Partial Section
Scale: 3/4"=1'-0"

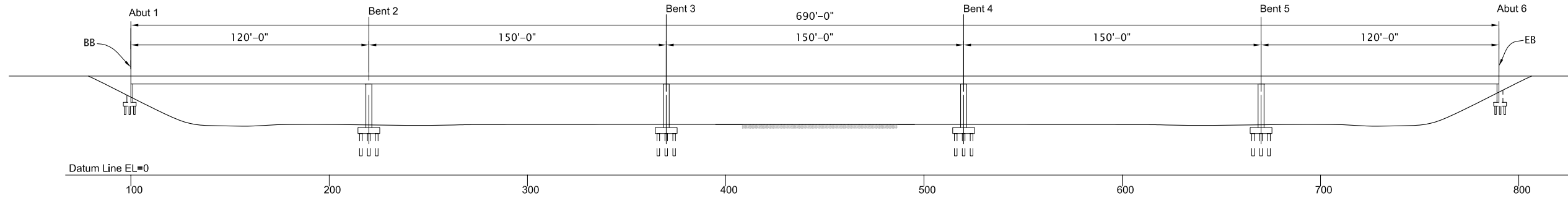
- Notes:**
1. P_{jack} = 7000 k
 2. f_c = 5000psi

PEER Project 6D01 Model No. 6				
Typical Section				
DESIGNED BY:	DATE:	CHECKED BY:	DATE:	SCALE:
DRAWN BY:	DATE:	CHECKED BY:	DATE:	DRAWING NO. S6-2
 <small>315 Bay Street, San Francisco, California 94133, USA</small>				

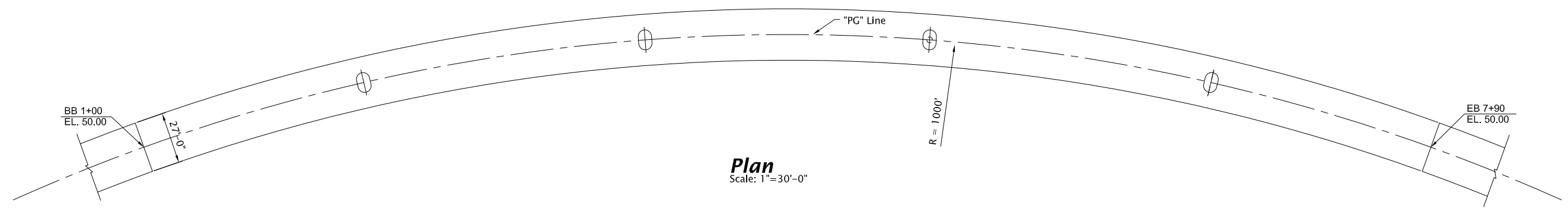


FILE: ModelNo.4.DWG

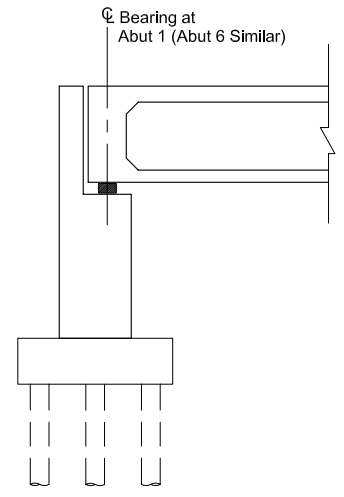
PEER Project 6D01 Model No. 6				
Column Sections with Minimum Av				
DESIGNED BY:	DATE:	CHECKED BY:	DATE:	SCALE:
DRAWN BY:	DATE:	CHECKED BY:	DATE:	DRAWING NO. S6-4
 315 Bay Street, San Francisco, California 94133, USA				



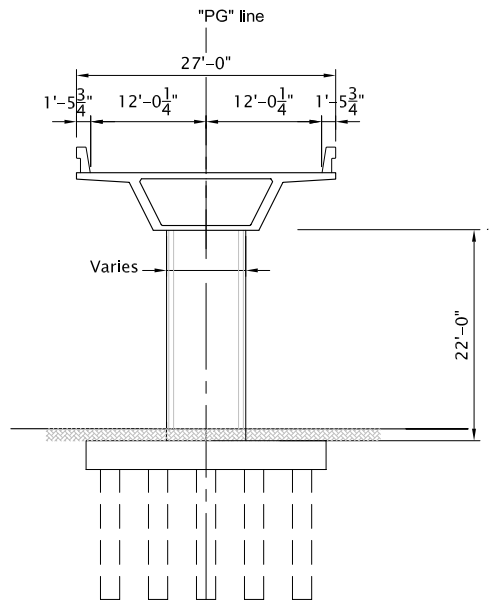
Elevation
Scale: 1"=30'-0"



Plan
Scale: 1"=30'-0"



Abutment Section
Scale: 1/4"=1'-0"



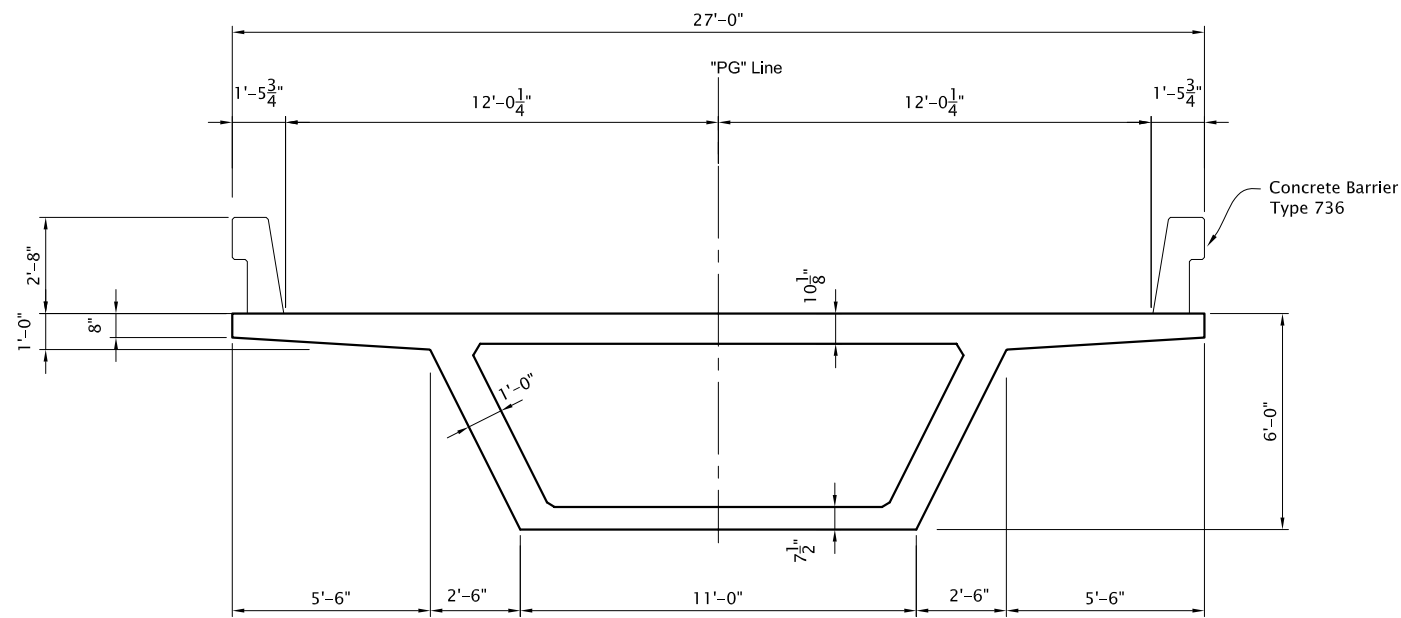
Typical Section
Scale: 1"=10'-0"

Notes:

- 1. Concrete Strengths:
 Girder $f_c = 5000$ psi
 Column $f_c = 4000$ psi
 Abutment $f_c = 4000$ psi
 Footing $f_c = 3600$ psi

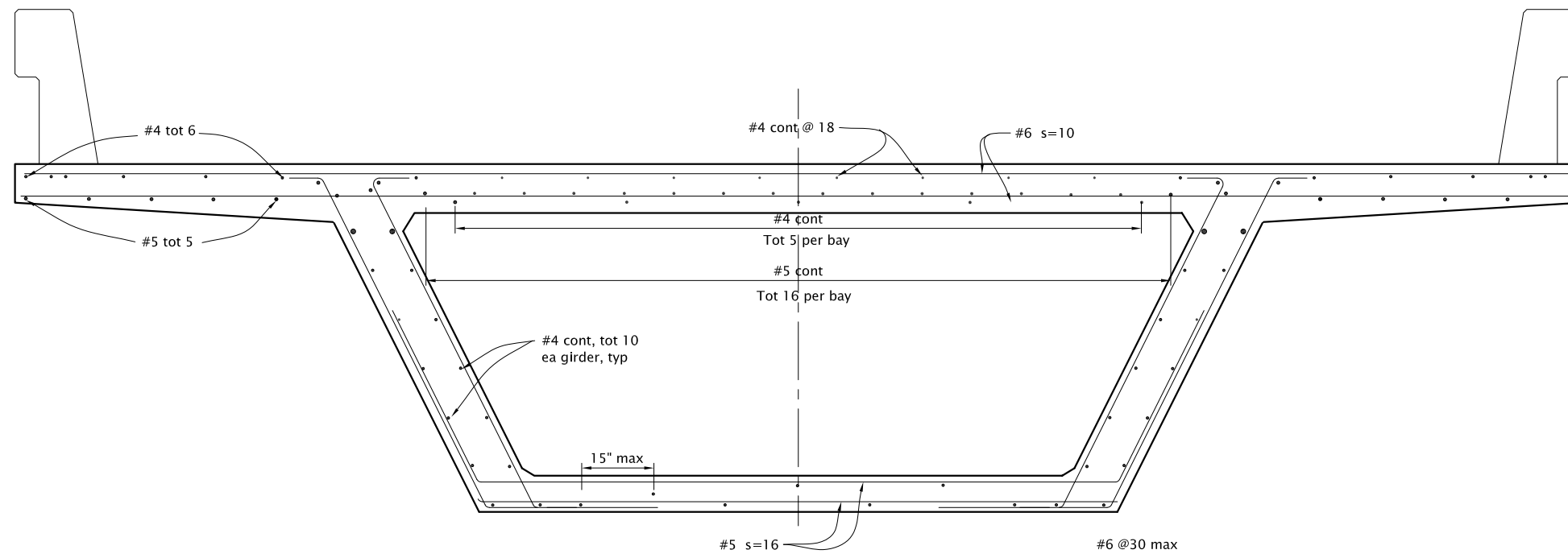
PEER Project 6D01				
Model No.9				
Baseline Bridge				
General Plan				
DESIGNED BY:	DATE:	CHECKED BY:	DATE:	SCALE:
DRAWN BY:	DATE:	CHECKED BY:	DATE:	DRAWING NO.
				S9-1
 315 Bay Street, San Francisco, California 94133, USA				

FILE:



Typical Section

Scale: 3/8"=1'-0"



Partial Section

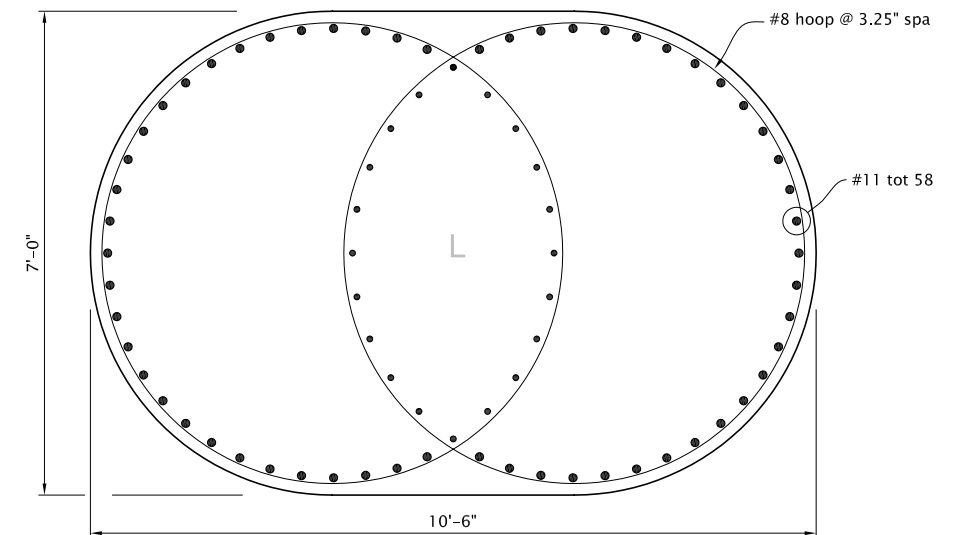
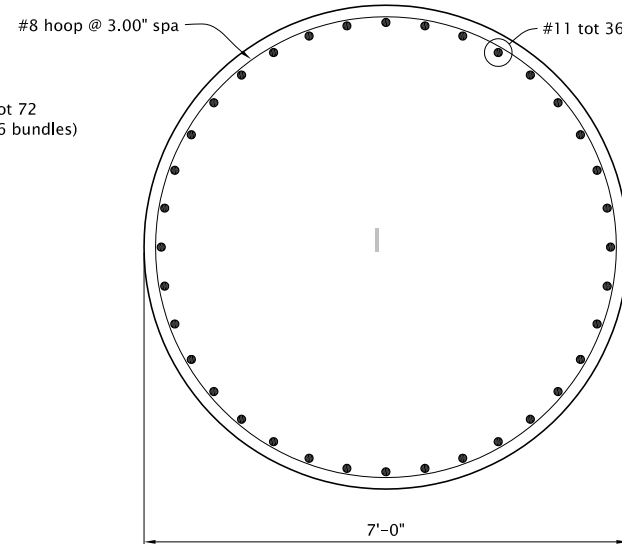
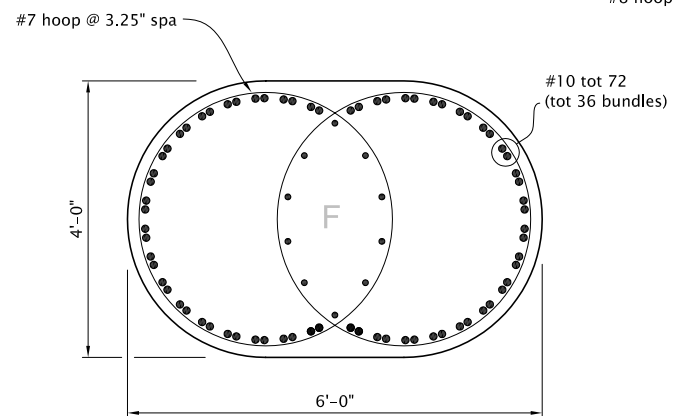
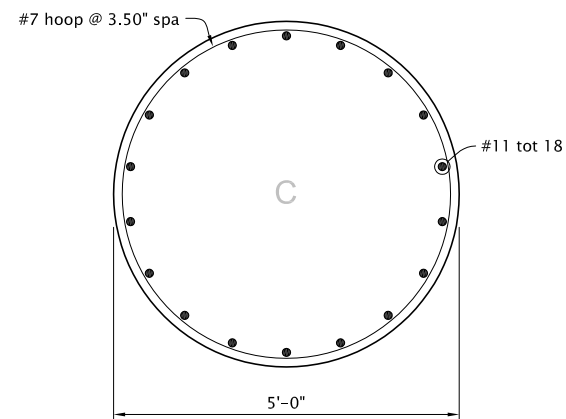
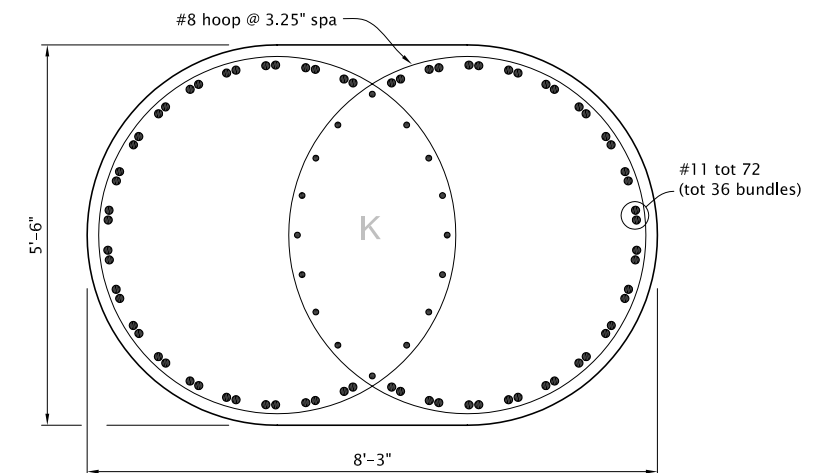
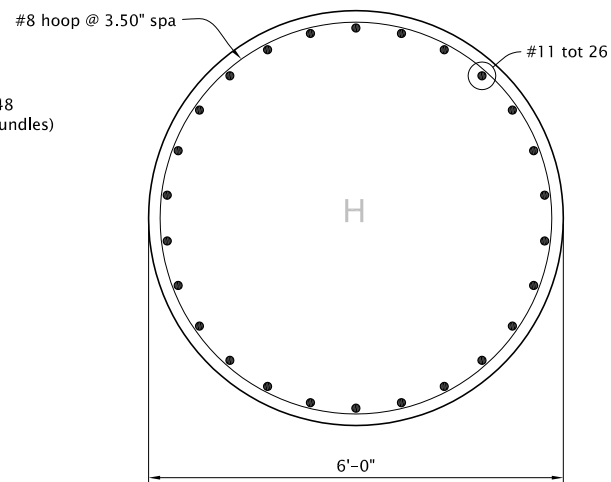
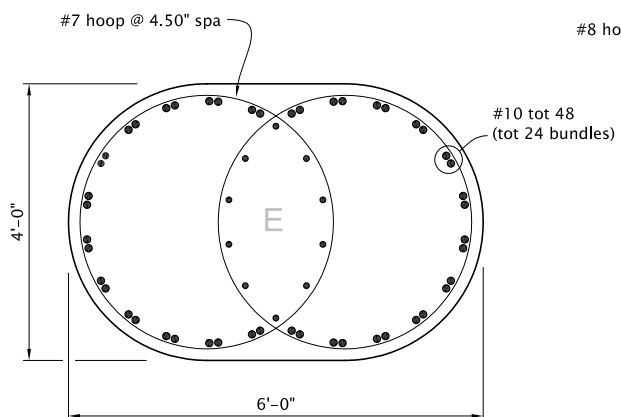
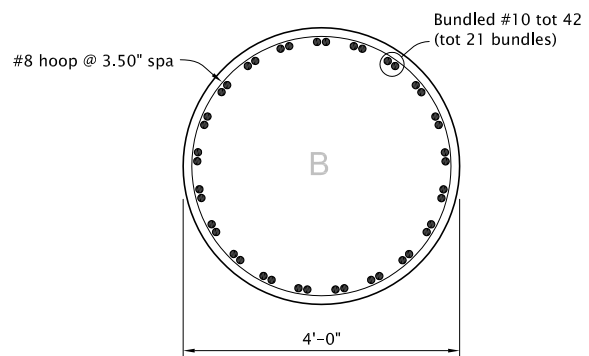
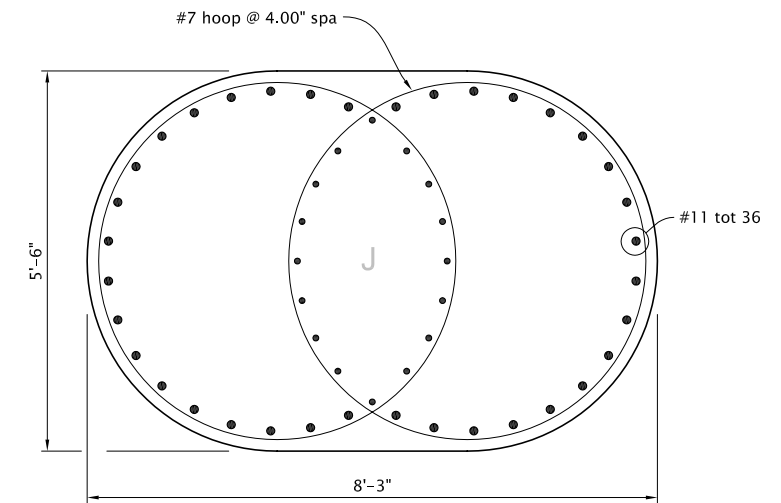
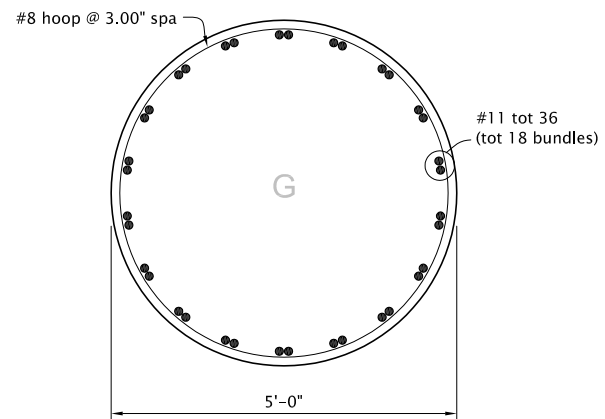
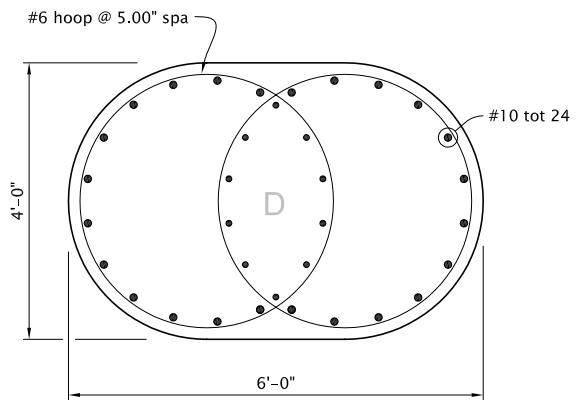
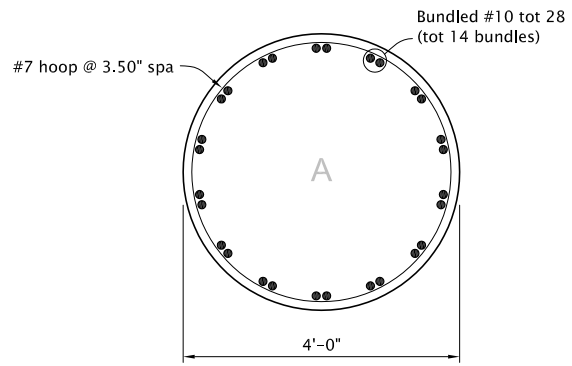
Scale: 3/4"=1'-0"

ADDITIONAL MILD STEEL AT BENTS				
MODEL	LOCATION	BAR SIZE	NO.	LENGTH
9A	Deck	#9	12	30'
	Soffit	#9	8	38'
9B	Deck	#9	12	30'
	Soffit	#9	8	38'
9C	Deck	#9	12	30'
	Soffit	#9	8	38'
9D	Deck	#9	12	30'
	Soffit	#9	8	38'
9E	Deck	#9	12	30'
	Soffit	#9	8	38'
9F	Deck	#9	12	30'
	Soffit	#9	8	38'
9G	Deck	#9	12	30'
	Soffit	#9	8	38'
9H	Deck	#9	12	30'
	Soffit	#9	8	38'
9I	Deck	#9	12	30'
	Soffit	#9	8	38'
9J	Deck	#9	12	30'
	Soffit	#9	8	38'
9K	Deck	#9	16	30'
	Soffit	#9	8	38'
9L	Deck	#9	16	30'
	Soffit	#9	8	38'

Notes:

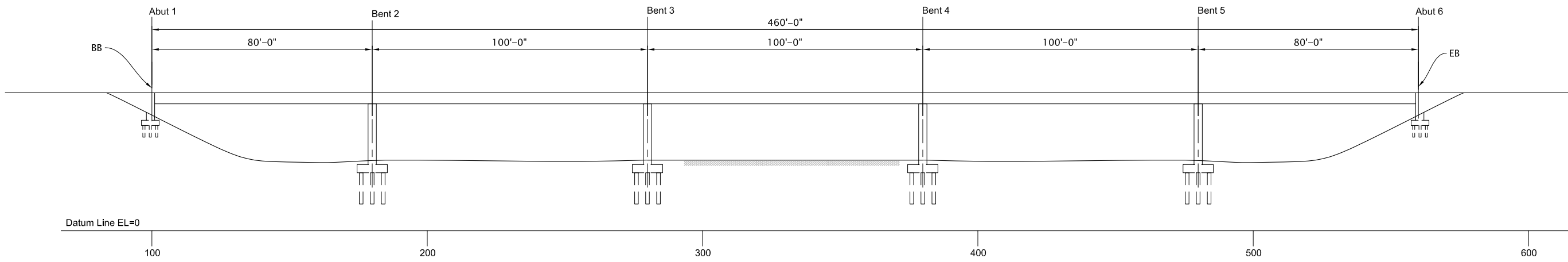
1. Pjack = 7000 k
2. f'c = 5000psi

PEER Project 6D01 Model No. 9				
Typical Section				
DESIGNED BY:	DATE:	CHECKED BY:	DATE:	SCALE:
DRAWN BY:	DATE:	CHECKED BY:	DATE:	DRAWING NO. S9-2
 <small>315 Bay Street, San Francisco, California 94133, USA</small>				

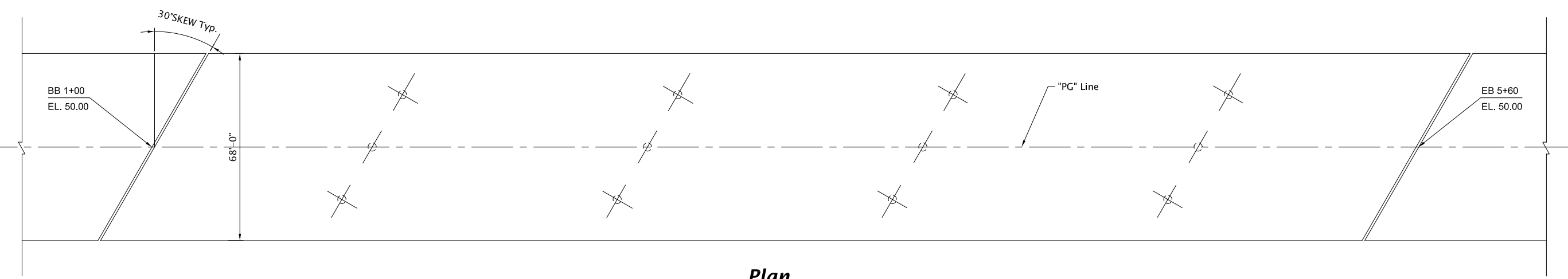


FILE: ModelNo.4.DWG

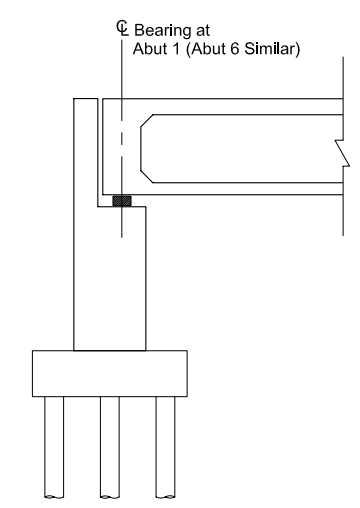
PEER Project 6D01 Model No. 9				
Column Cross-Sections				
DESIGNED BY:	DATE:	CHECKED BY:	DATE:	SCALE:
DRAWN BY:	DATE:	CHECKED BY:	DATE:	DRAWING NO. S9-4
 315 Bay Street, San Francisco, California 94133, USA				



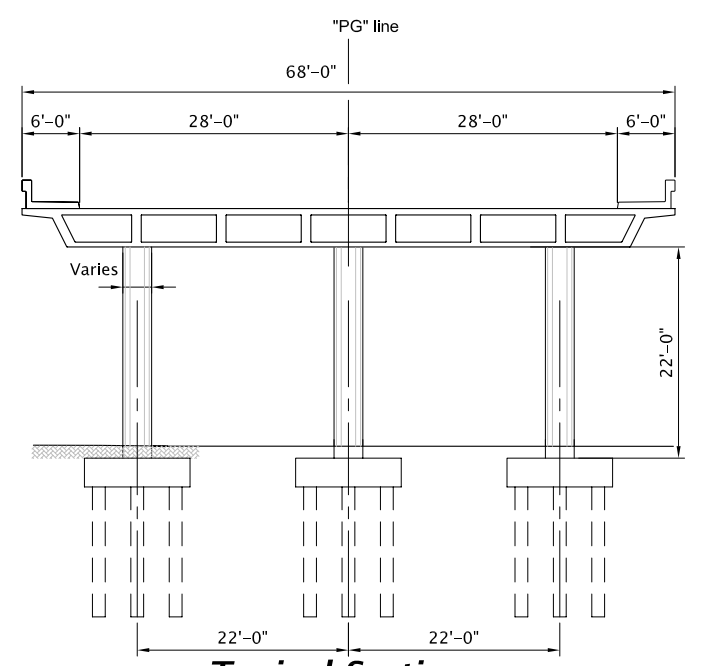
Elevation
Scale: 1"=20'-0"



Plan
Scale: 1"=20'-0"



Abutment Section
Scale: 1/4"=1'-0"

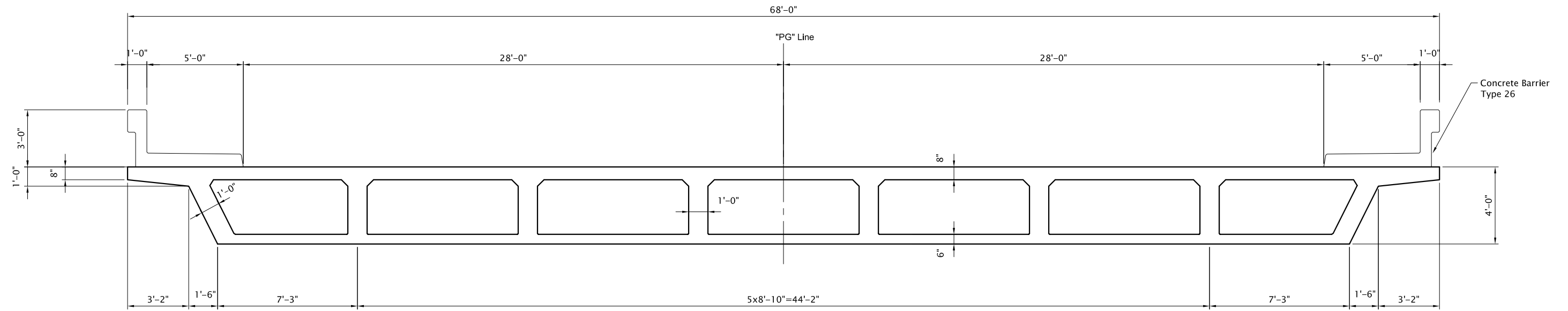


Typical Section
Scale: 1"=10'-0"

- Notes:**
- Concrete Strengths:
 Girder $f'_c = 5000$ psi
 Column $f'_c = 4000$ psi
 Abutment $f'_c = 4000$ psi
 Footing $f'_c = 3600$ psi

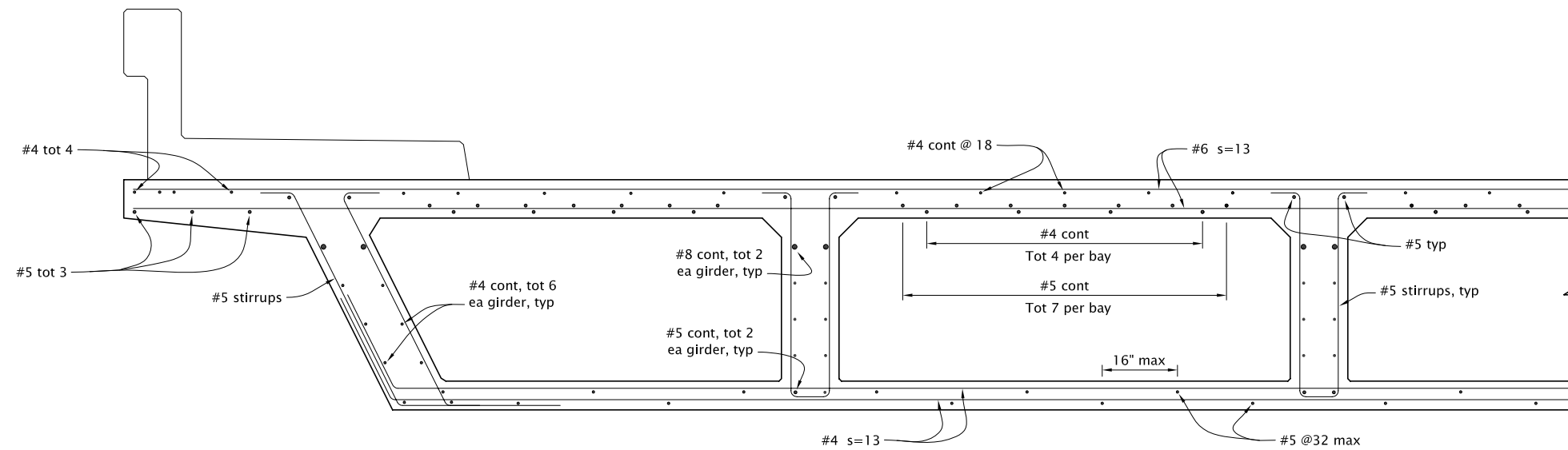
PEER Project 6D01				
Model No.10				
Baseline Bridge				
General Plan				
DESIGNED BY:	DATE:	CHECKED BY:	DATE:	SCALE:
DRAWN BY:	DATE:	CHECKED BY:	DATE:	DRAWING NO.
				S10-1
 315 Bay Street, San Francisco, California 94133, USA				

FILE:



Typical Section
Scale: 3/8"=1'-0"

ADDITIONAL MILD STEEL AT BENTS				
MODEL	LOCATION	BAR SIZE	NO.	LENGTH
3A	Deck	#9	47	20'
	Soffit	#9	47	25'
3B	Deck	#9	47	20'
	Soffit	#9	47	25'
3C	Deck	#9	47	20'
	Soffit	#9	47	25'
3D	Deck	#9	47	20'
	Soffit	#9	47	25'
3E	Deck	#9	47	20'
	Soffit	#9	47	25'
3F	Deck	#9	47	20'
	Soffit	#9	47	25'
3G	Deck	#9	47	20'
	Soffit	#9	47	25'
3H	Deck	#9	66	20'
	Soffit	#9	47	25'
3 I	Deck	#9	102	20'
	Soffit	#9	47	25'



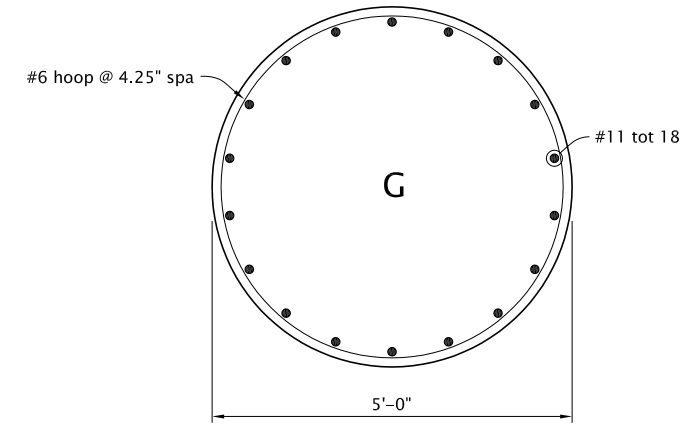
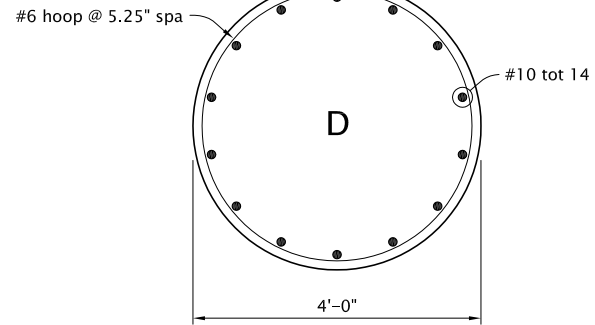
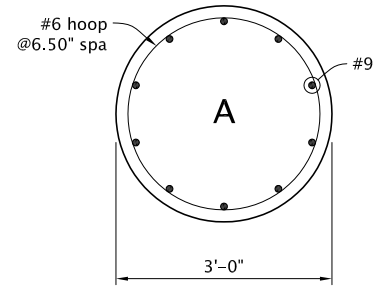
Partial Section
Scale: 3/4"=1'-0"

Notes:

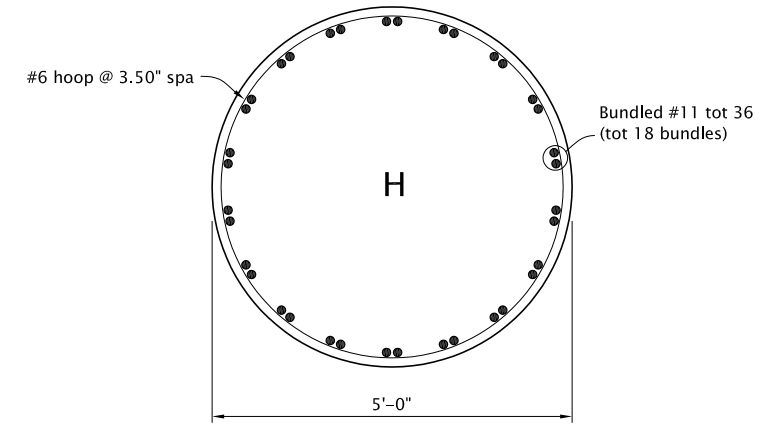
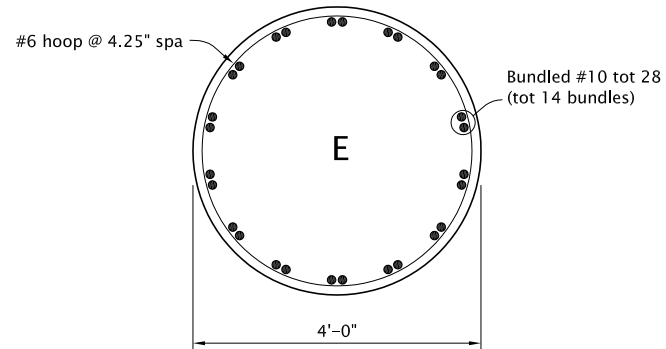
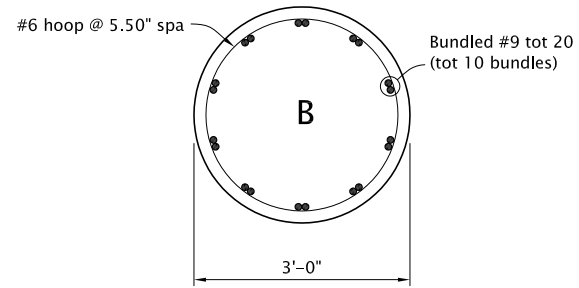
1. Pjack = 7000 k
2. f'c = 5000psi

PEER Project 6D01 Model No.10				
Typical Section				
DESIGNED BY:	DATE:	CHECKED BY:	DATE:	SCALE:
DRAWN BY:	DATE:	CHECKED BY:	DATE:	DRAWING NO. S10-2
 315 Bay Street, San Francisco, California 94133, USA				

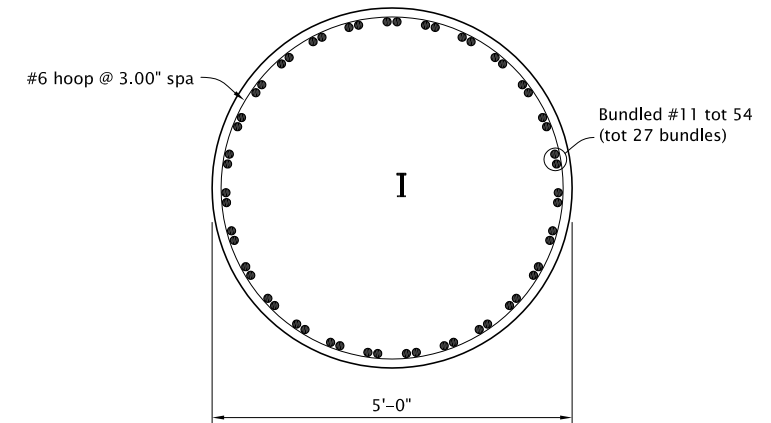
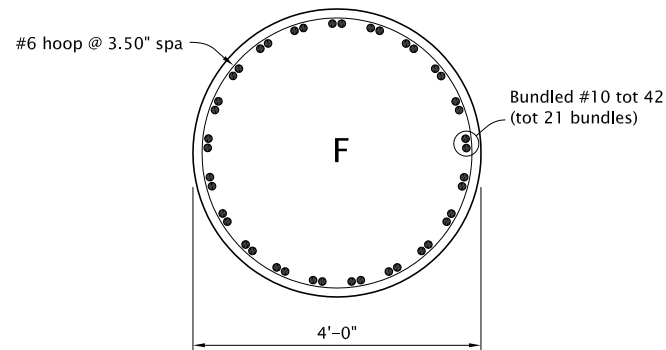
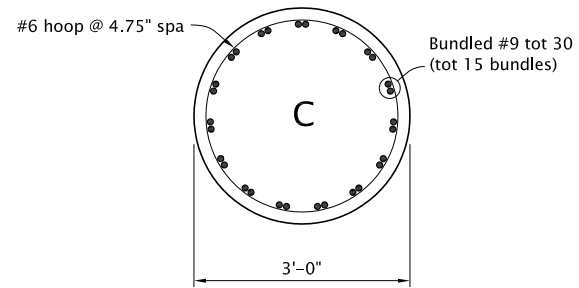
1% Reinf.



2% Reinf.



3% Reinf.



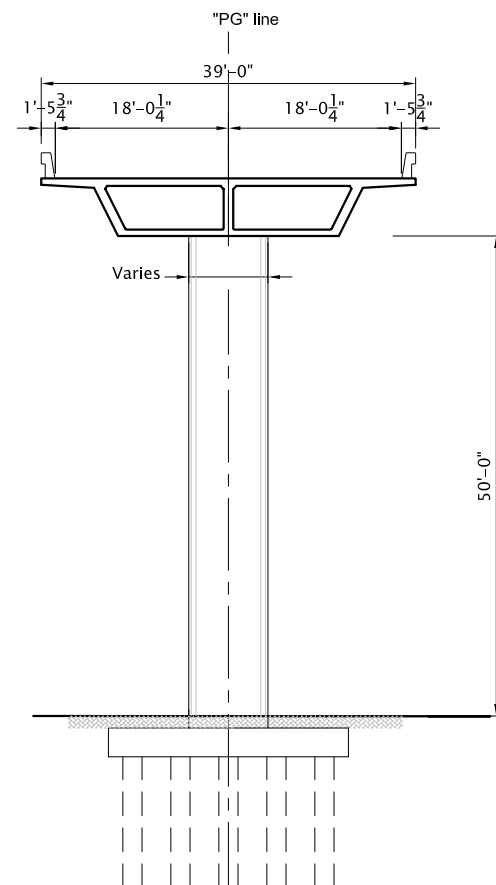
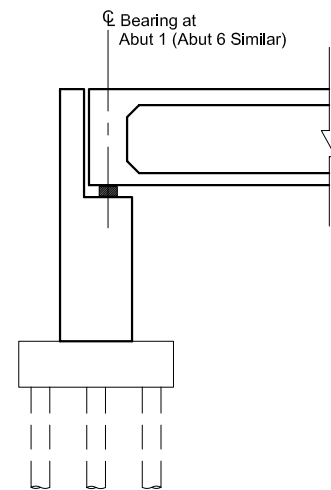
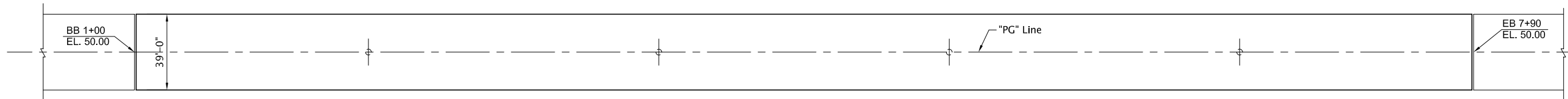
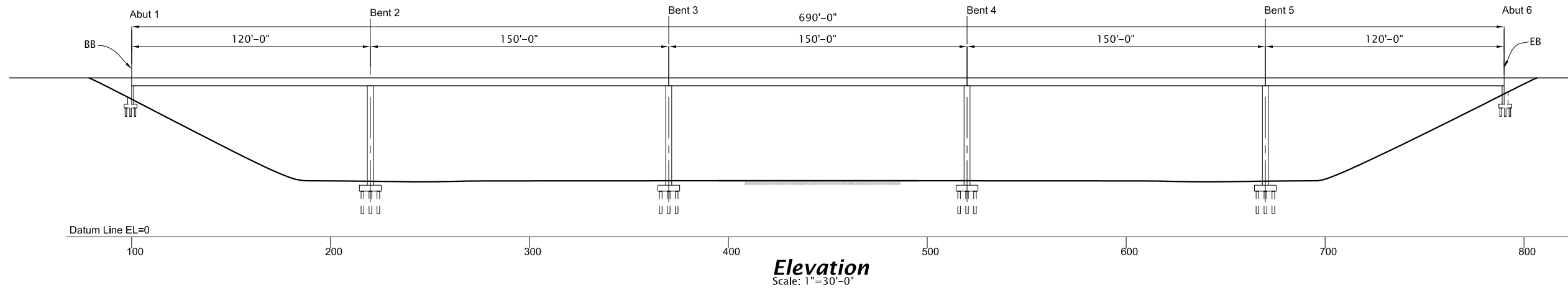
3'-0" Diameter

4'-0" Diameter

5'-0" Diameter

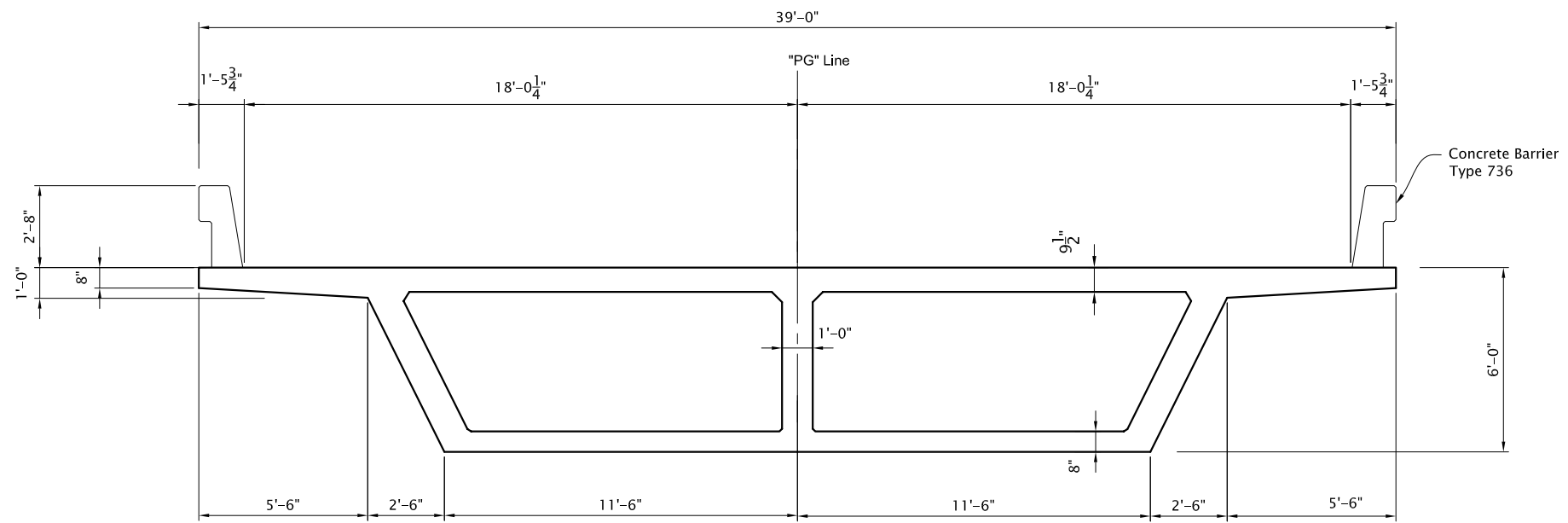
Columns Cross-Sections
Scale: 3/4"=1'-0"

PEER Project 6D01 Model No. 10				
Column Sections with Minimum Av				
DESIGNED BY:	DATE:	CHECKED BY:	DATE:	SCALE:
DRAWN BY:	DATE:	CHECKED BY:	DATE:	DRAWING NO. S10-4
OPAC CONSULTING ENGINEERS 315 Bay Street, San Francisco, California 94133, USA				



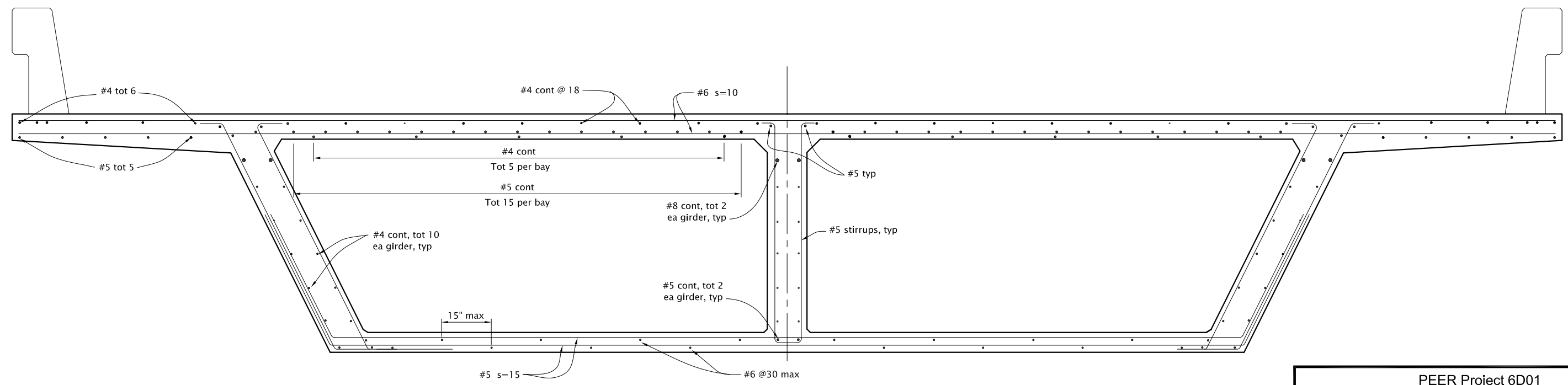
- Notes:**
- Concrete Strengths:
 - Girder $f'_c = 5000$ psi
 - Column $f'_c = 4000$ psi
 - Abutment $f'_c = 4000$ psi
 - Footing $f'_c = 3600$ psi

PEER Project 6D01 Model No.11				
Baseline Bridge General Plan				
DESIGNED BY:	DATE:	CHECKED BY:	DATE:	SCALE:
DRAWN BY:	DATE:	CHECKED BY:	DATE:	DRAWING NO. S11-1
 <small>315 Bay Street, San Francisco, California 94133, USA</small>				



Typical Section
Scale: 3/8"=1'-0"

ADDITIONAL MILD STEEL AT BENTS				
MODEL	LOCATION	BAR SIZE	NO.	LENGTH
11A	Deck	#9	27	30'
	Soffit	#9	24	38'
11B	Deck	#9	27	30'
	Soffit	#9	24	38'
11C	Deck	#9	43	30'
	Soffit	#9	24	38'
11D	Deck	#9	27	30'
	Soffit	#9	24	38'
11E	Deck	#9	49	30'
	Soffit	#9	24	38'
11F	Deck	#9	27	30'
	Soffit	#9	24	38'
11G	Deck	#9	27	30'
	Soffit	#9	24	38'
11H	Deck	#9	27	30'
	Soffit	#9	24	38'
11I	Deck	#9	46	30'
	Soffit	#9	24	38'
11J	Deck	#9	27	30'
	Soffit	#9	24	38'
11K	Deck	#9	75	30'
	Soffit	#9	44	38'
11L	Deck	#9	63	30'
	Soffit	#9	56	38'



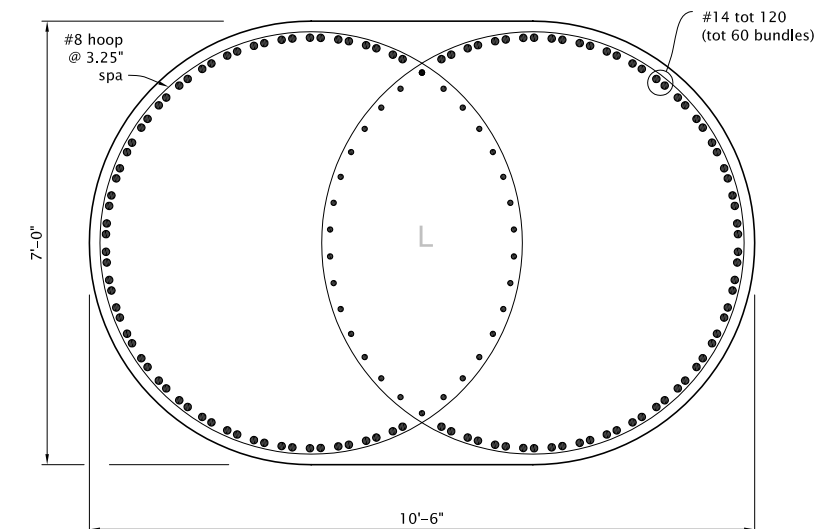
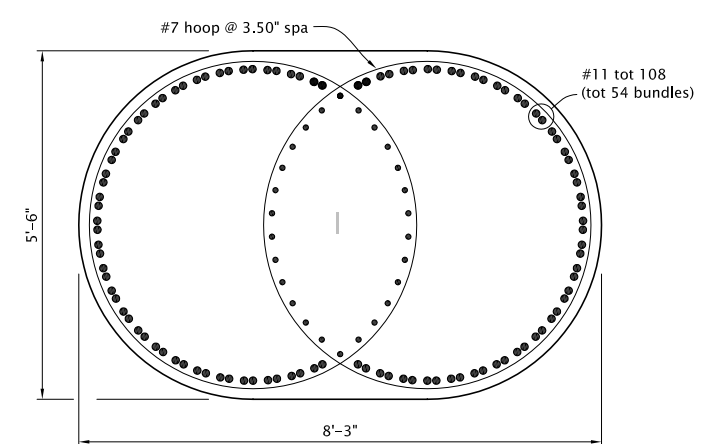
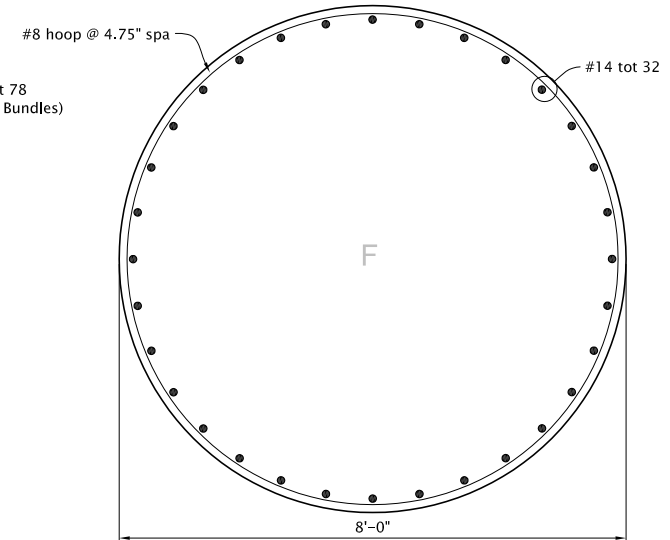
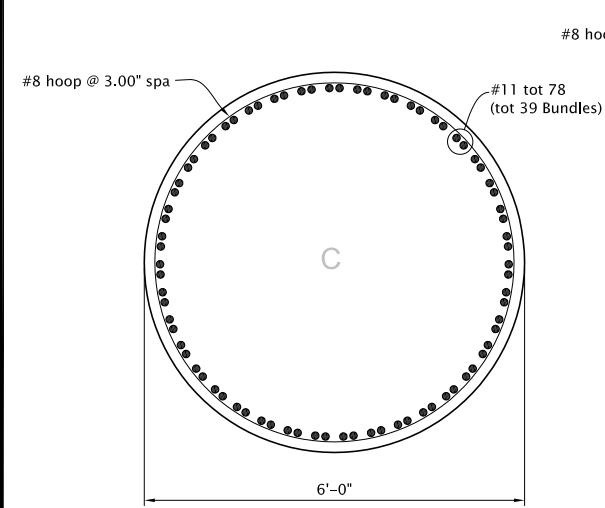
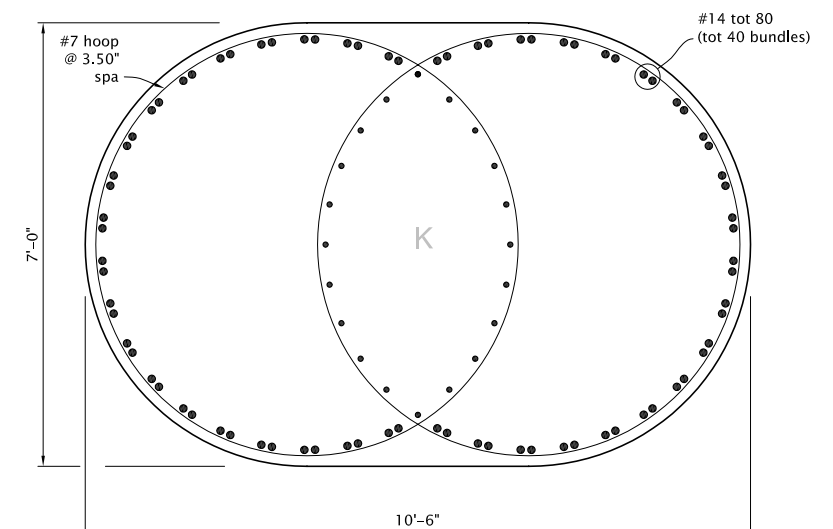
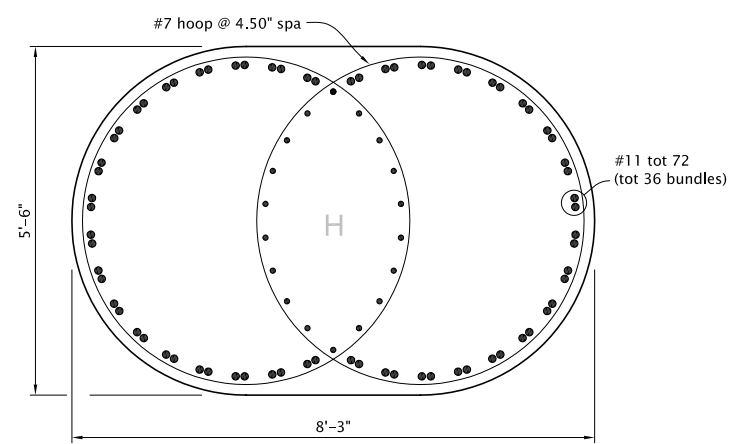
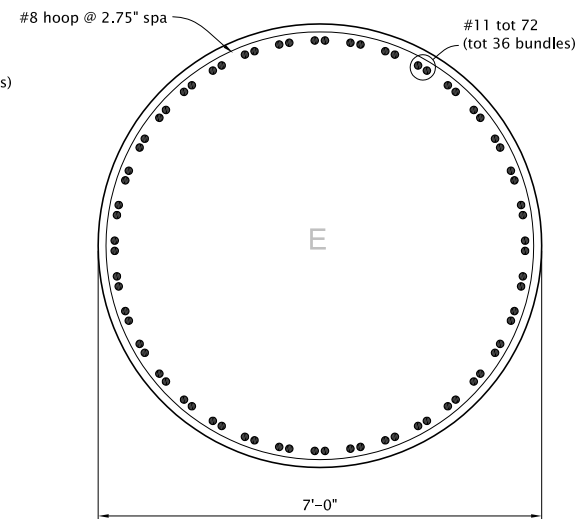
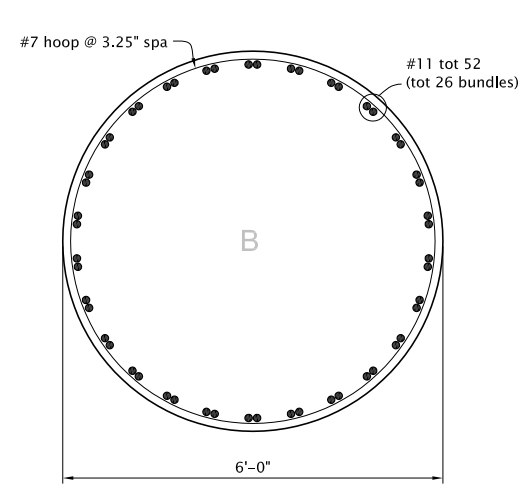
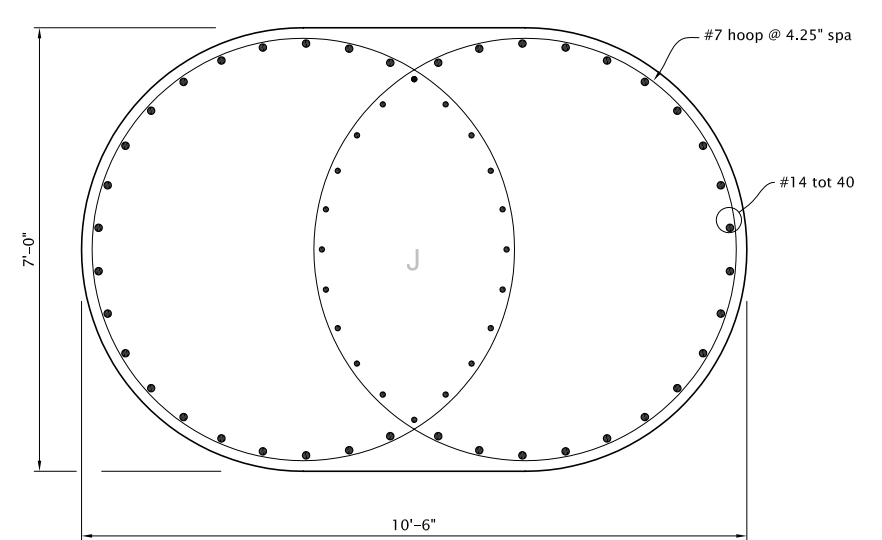
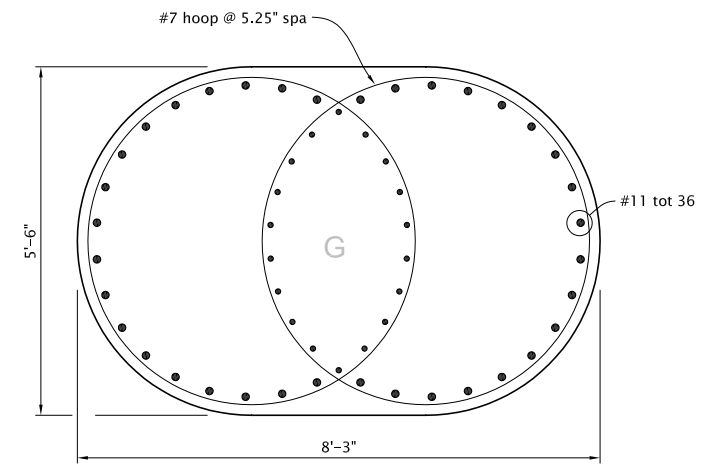
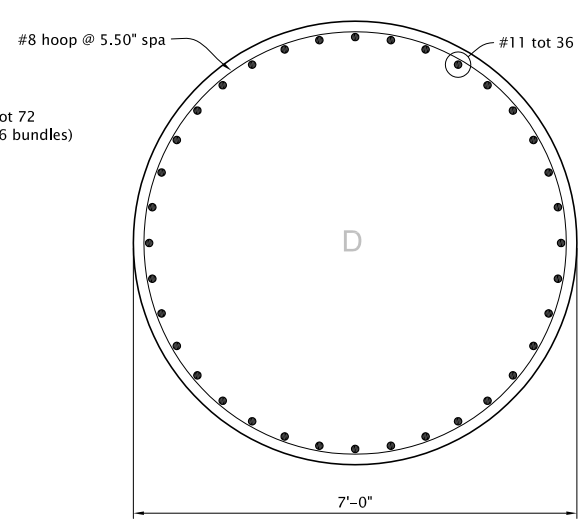
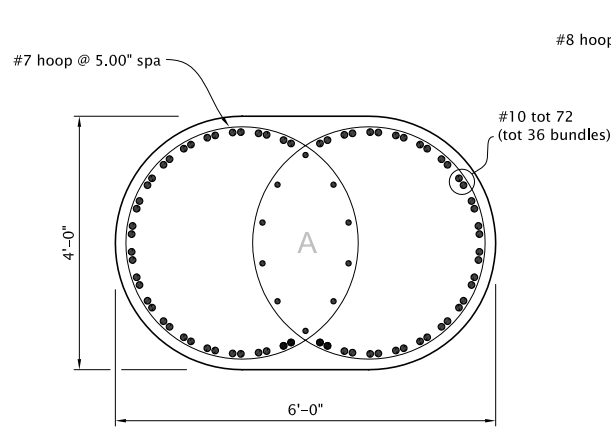
Partial Section
Scale: 3/4"=1'-0"

- Notes:**
- Pjack = 7000 k
 - f_c = 5000psi

PEER Project 6D01 Model No. 11				
Typical Section				
DESIGNED BY:	DATE:	CHECKED BY:	DATE:	SCALE:
DRAWN BY:	DATE:	CHECKED BY:	DATE:	DRAWING NO. S11-2

OPAC CONSULTING ENGINEERS

FILE:



FILE: Model/No.4.DWG

PEER Project 6D01 Model No.11				
Column Cross-Sections				
DESIGNED BY:	DATE:	CHECKED BY:	DATE:	SCALE:
DRAWN BY:	DATE:	CHECKED BY:	DATE:	DRAWING NO. S11-4
 315 Bay Street, San Francisco, California 94133, USA				