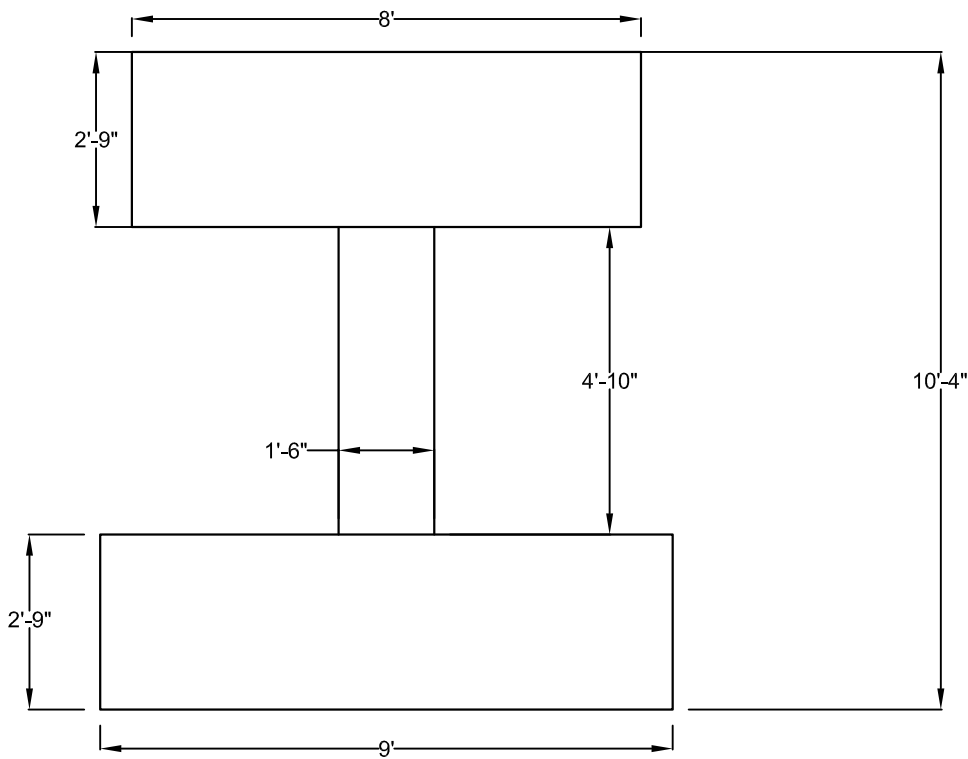
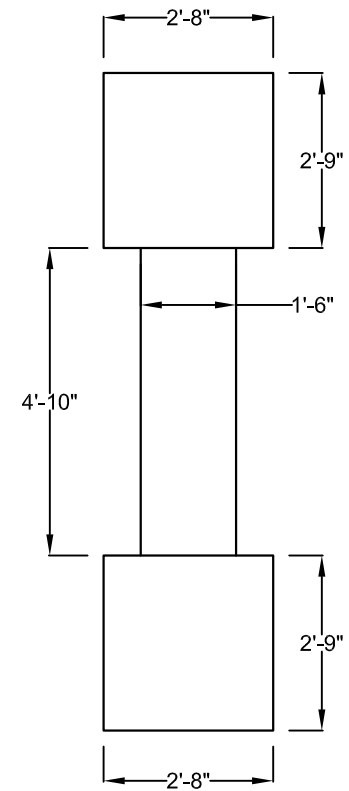


Front View



Side View



Seismic Column Specimens

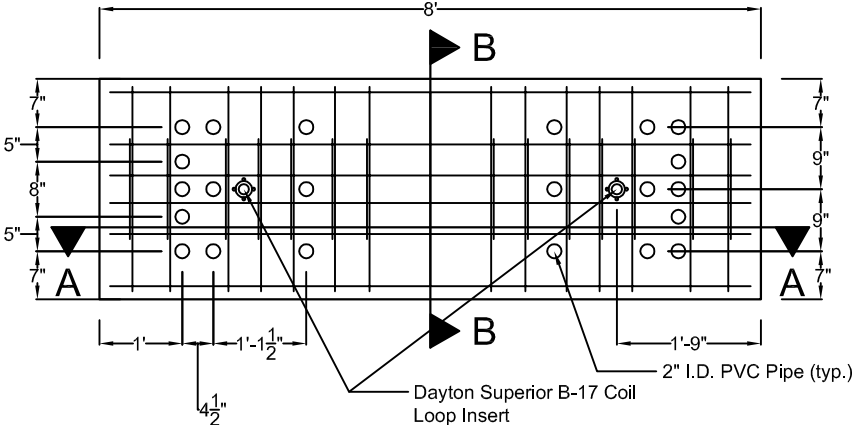
Uniaxial Specimen Overall Dimensions

Sheet:

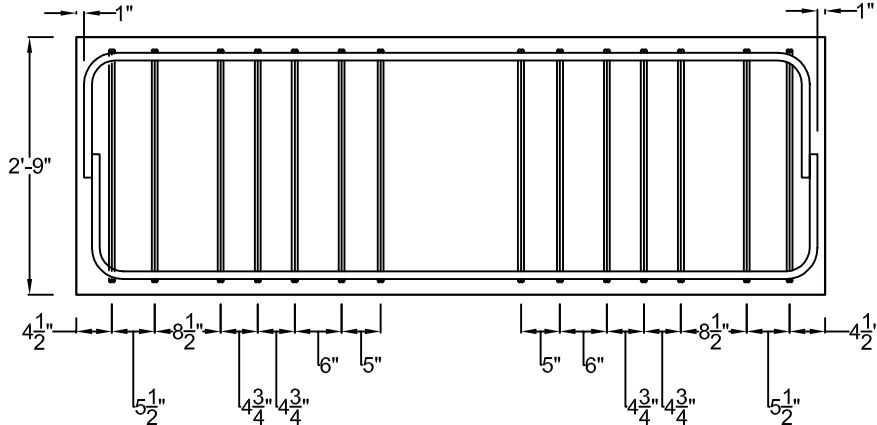
Date: 11-15-07

Purdue University

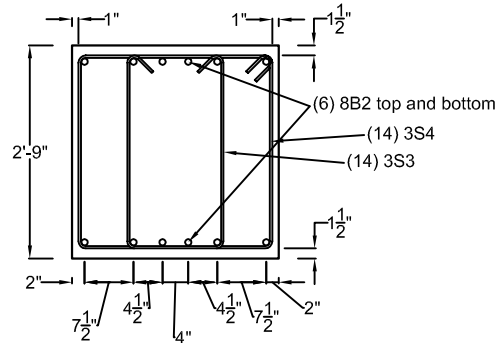
Top Beam (Plan View)



Section A-A



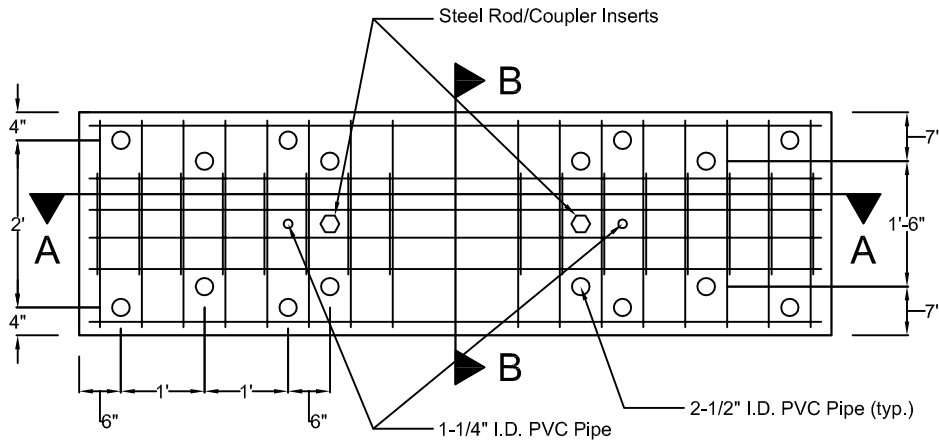
Section B-B



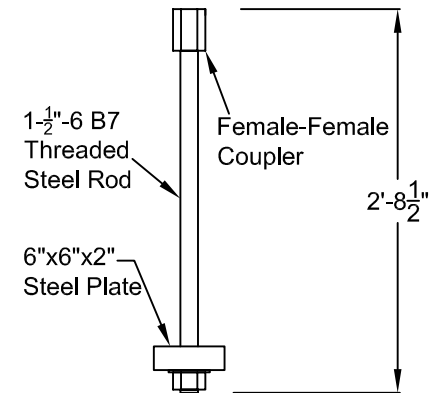
Seismic Column Specimens

Uniaxial Specimen Top Beam Reinf.
 Sheet: _____ Date: 11-15-07
 Purdue University

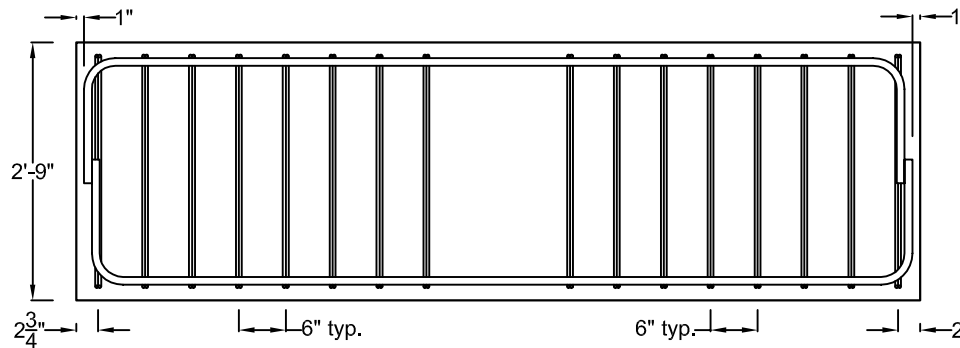
Bottom Beam (Plan View)



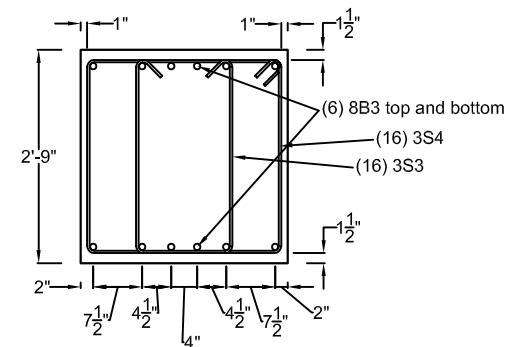
Steel Rod/Coupler Insert Assembly (Provided by Purdue)



Section A-A



Section B-B



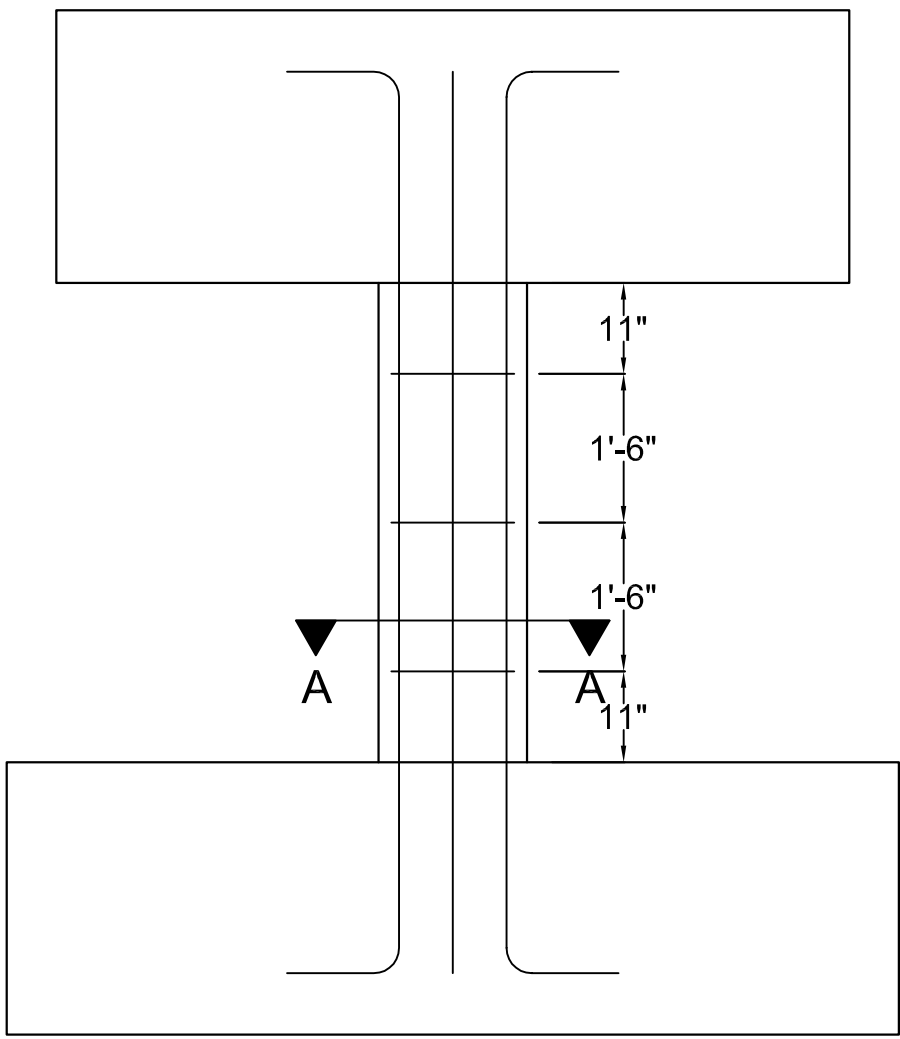
Seismic Column Specimens

Uniaxial Specimen Bottom Beam Reinf.

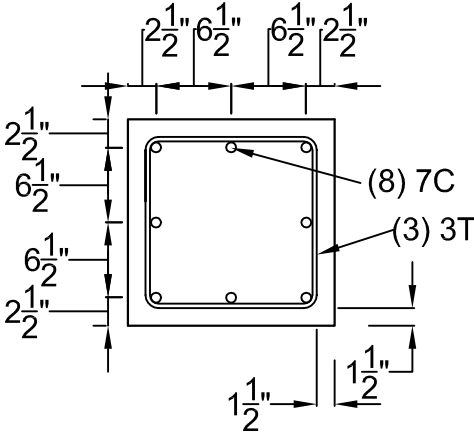
Sheet:

Date: 11-15-07

Purdue University



Section A-A

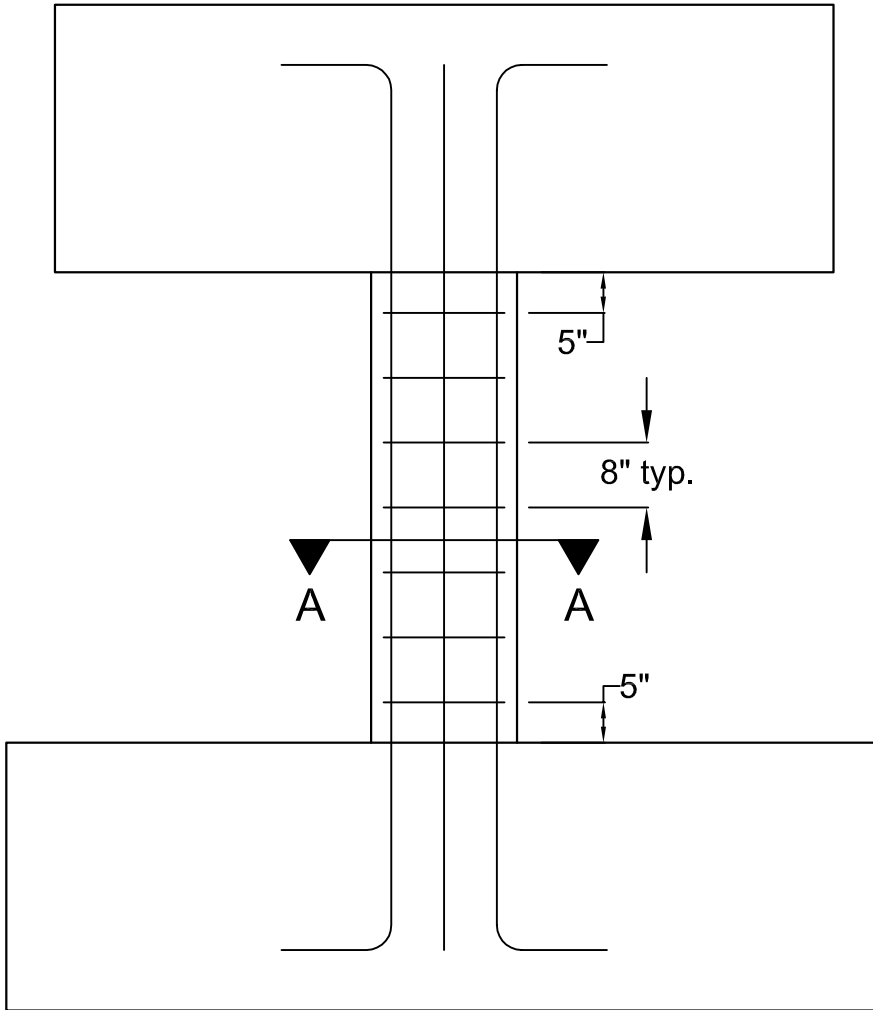


Seismic Column Specimens

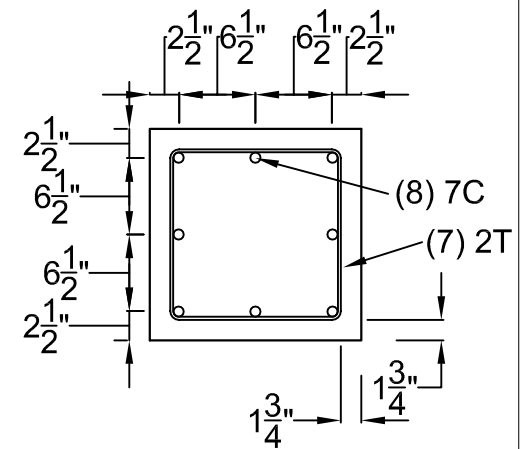
Uniaxial Specimen 1 Column Reinf.

Sheet: _____ Date: 11-15-07

Purdue University



Section A-A



Seismic Column Specimens

Uniaxial Specimen 2 Column Reinf.

Sheet:

Date: 11-15-07

Purdue University