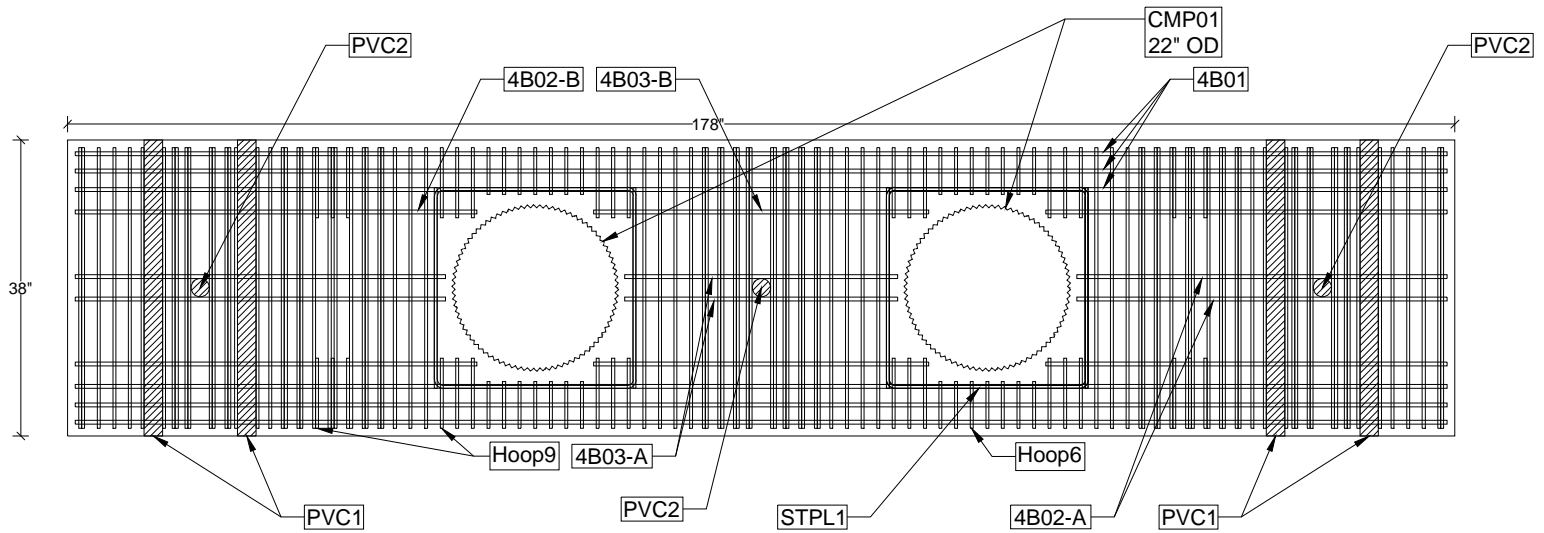
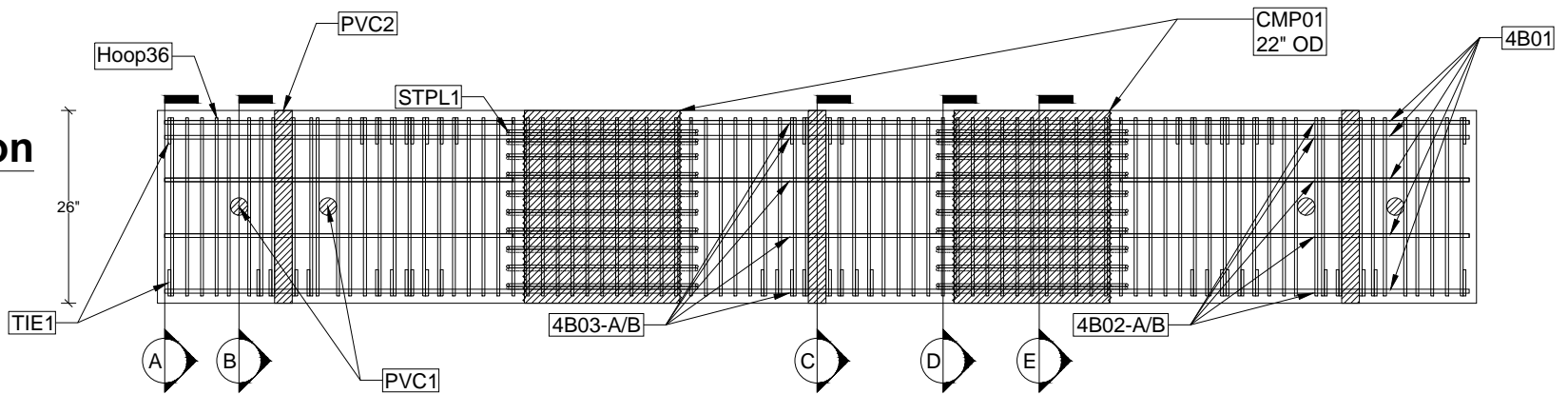


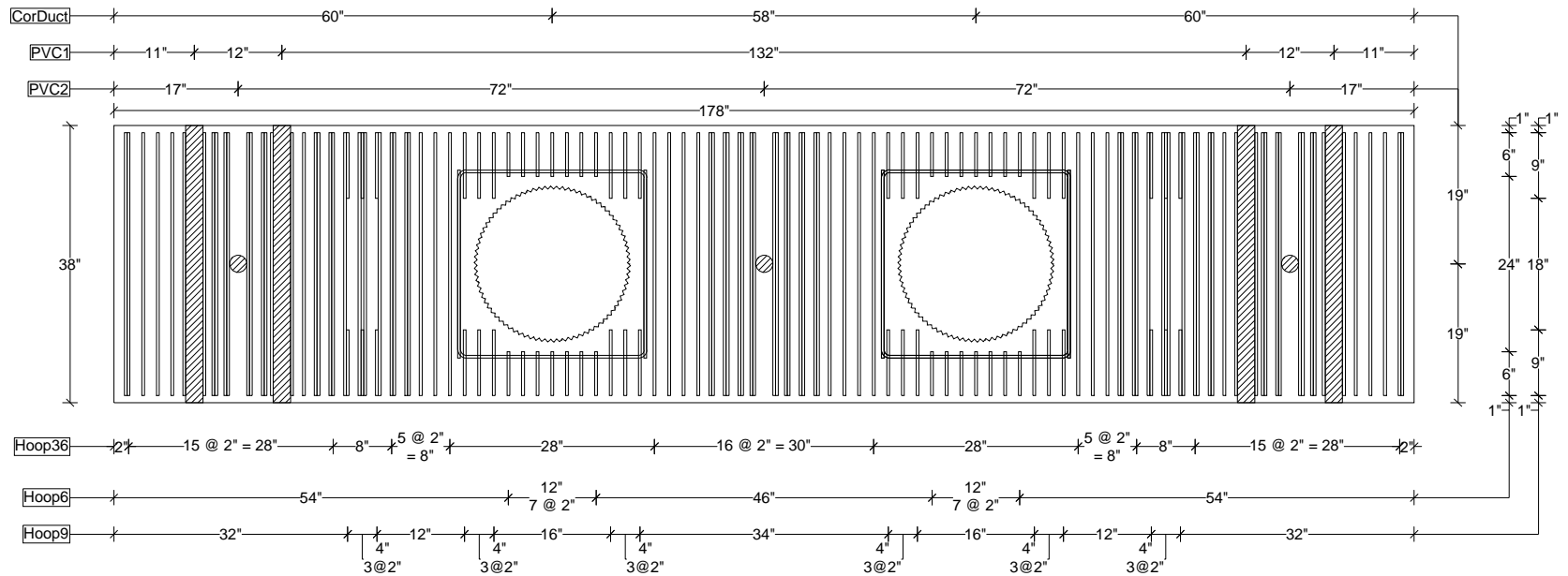
Plan



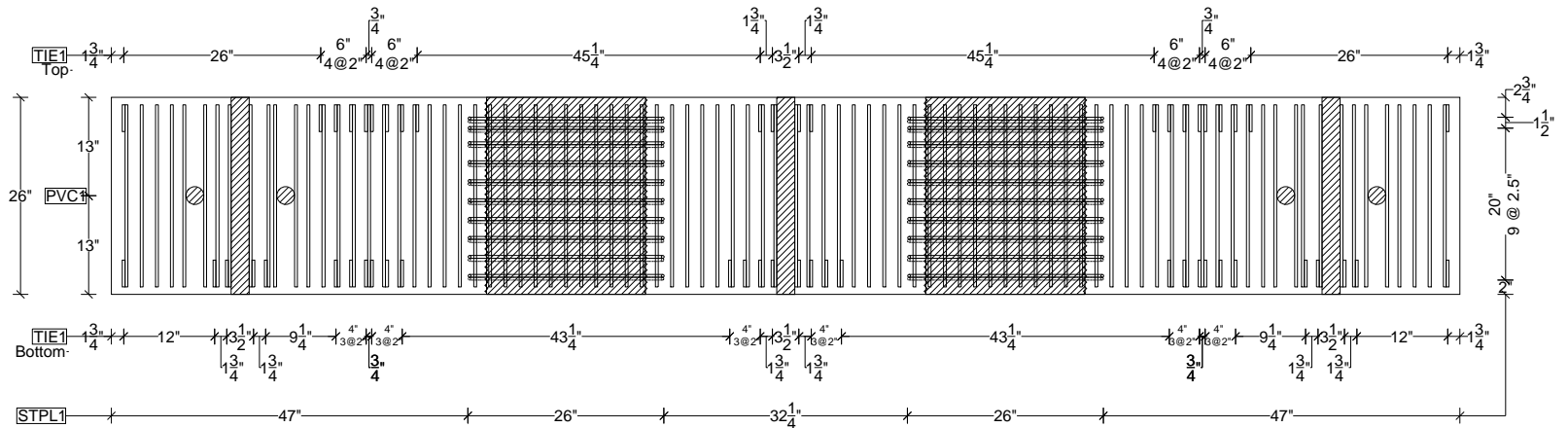
Elevation



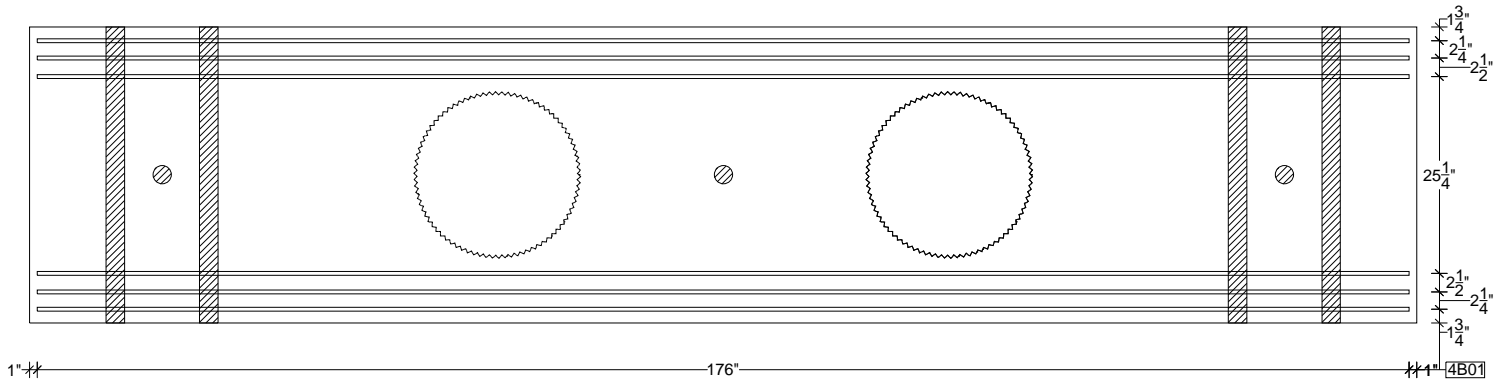
Plan



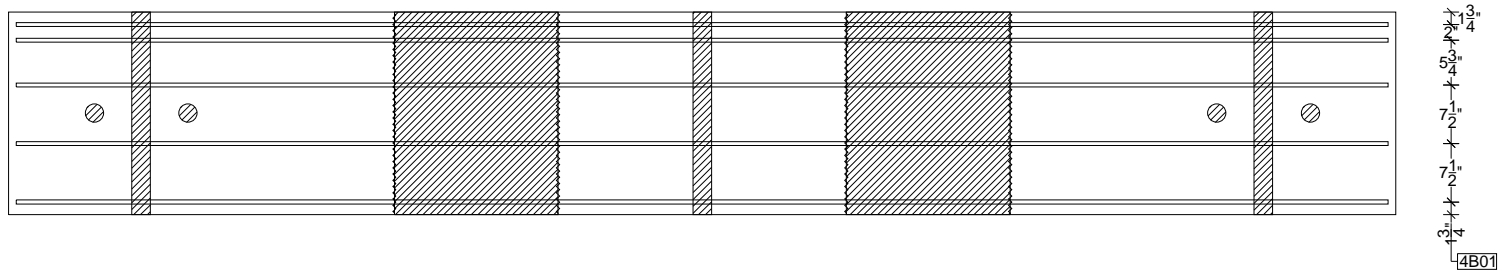
Elevation



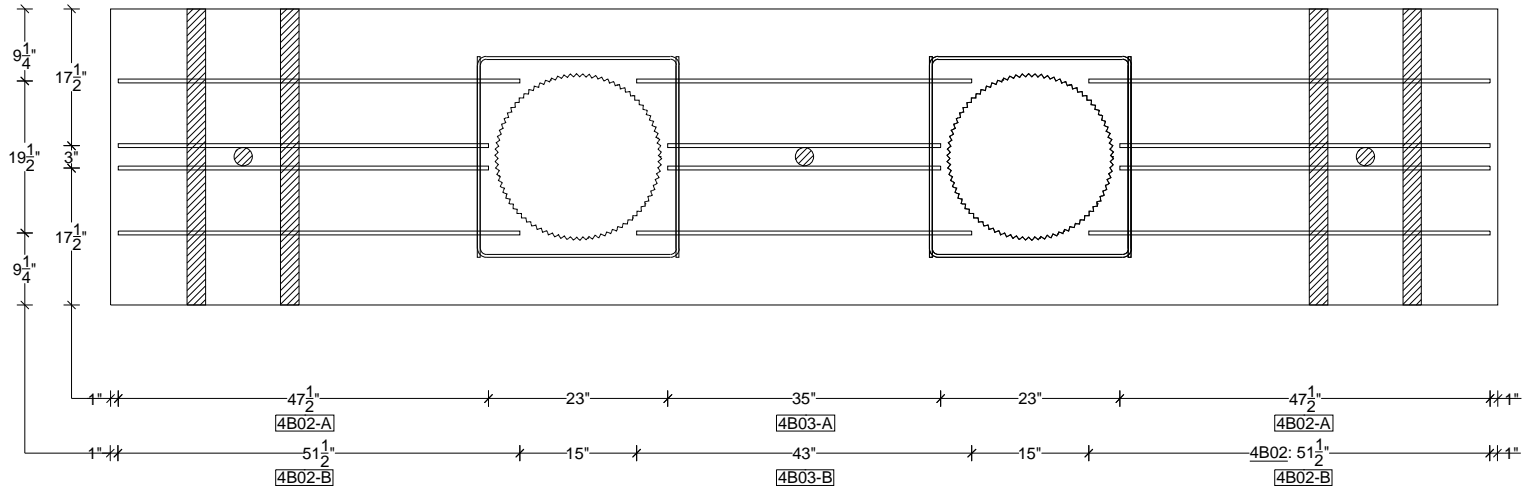
Plan



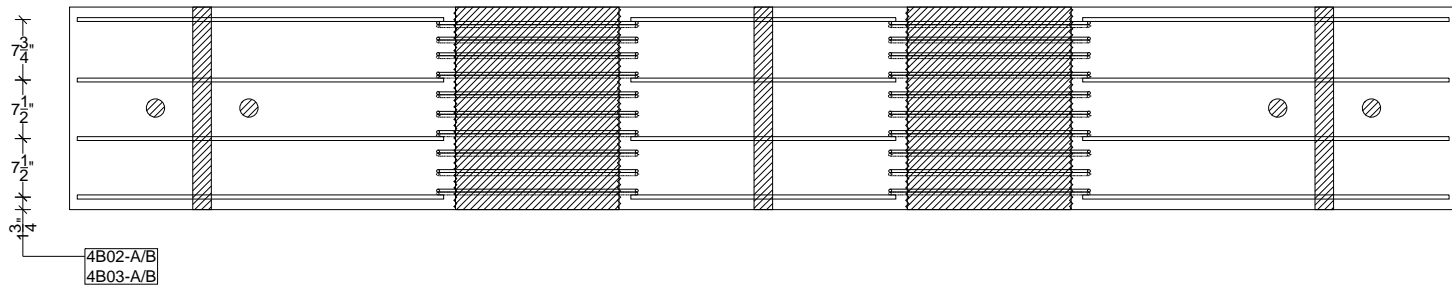
Elevation

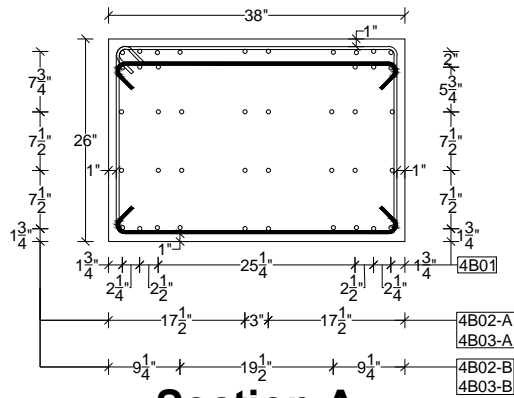


Plan

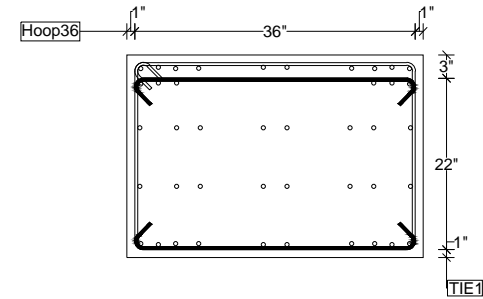


Elevation

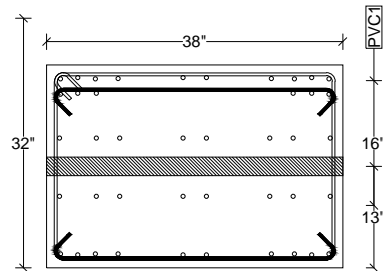




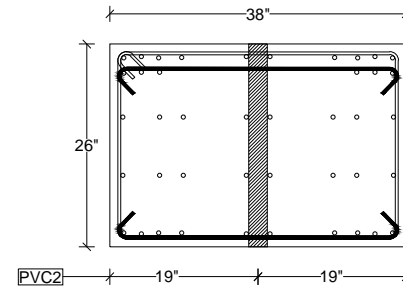
Section A
Longitudinal Reinforcement



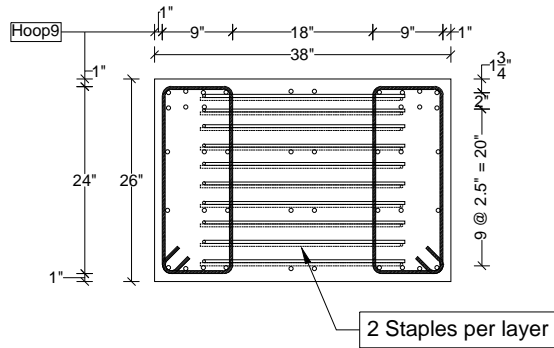
Section A
Transverse Reinforcement



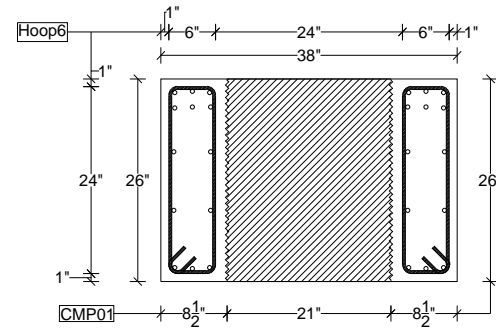
Section B



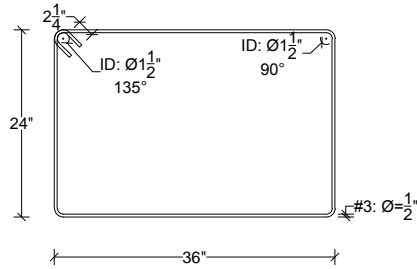
Section C



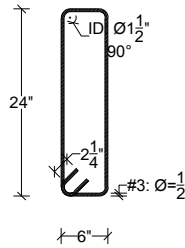
Section D



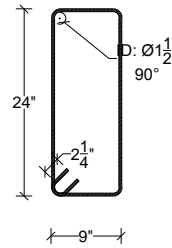
Section E



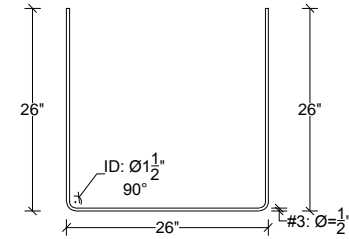
Hoop36



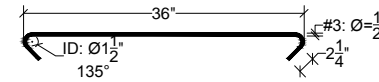
Hoop6



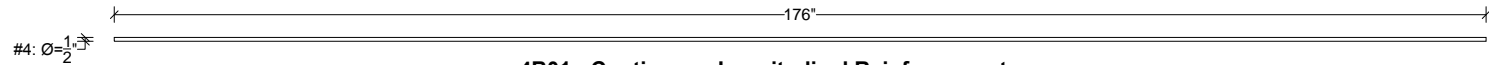
Hoop9



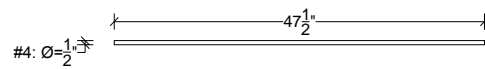
STPL1: Staples



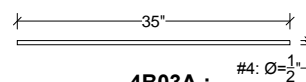
TIE1



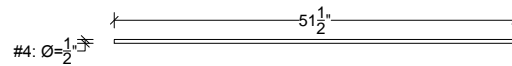
4B01 : Continuous Longitudinal Reinforcement



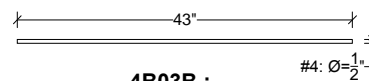
**4B02A:
Discontinuous Long. Reinf**



**4B03A :
Discontinuous Long. Reinf**



**4B02B:
Discontinuous Long. Reinf**



**4B03B :
Discontinuous Long. Reinf**

Reinforcement Schedule

Mark	Quantity	Description
4B01	26	#4 ASTM A615 G60
4B02-A	16	#4 ASTM A615 G60
4B02-B	16	#4 ASTM A615 G60
4B03-A	8	#4 ASTM A615 G60
4B03-B	8	#4 ASTM A615 G60
TIE1	52	#3 ASTM A615 G60, Ties
Hoop6	28	#3 ASTM A615 G60, Hoops
Hoop9	36	#3 ASTM A615 G60, Hoops
Hoop36	56	#3 ASTM A615 G60, Hoops
STPL1	40	#3 ASTM A615 G60, Staples

Bill of Materials

PVC1	4	38" long x 2" ID x PVC duct
PVC2	3	32" long x 2" ID x PVC duct
CMP01	2	21" Nominal ID, 26" tall Helical-Corrugated Metal Pipe, ASTM A760/A760M

Concrete Specifications

Mix Design	Unit Weight (P.C.F)	Volume (CU.YD.)	f' _C (P.S.I.)
-	150	3.7	6000